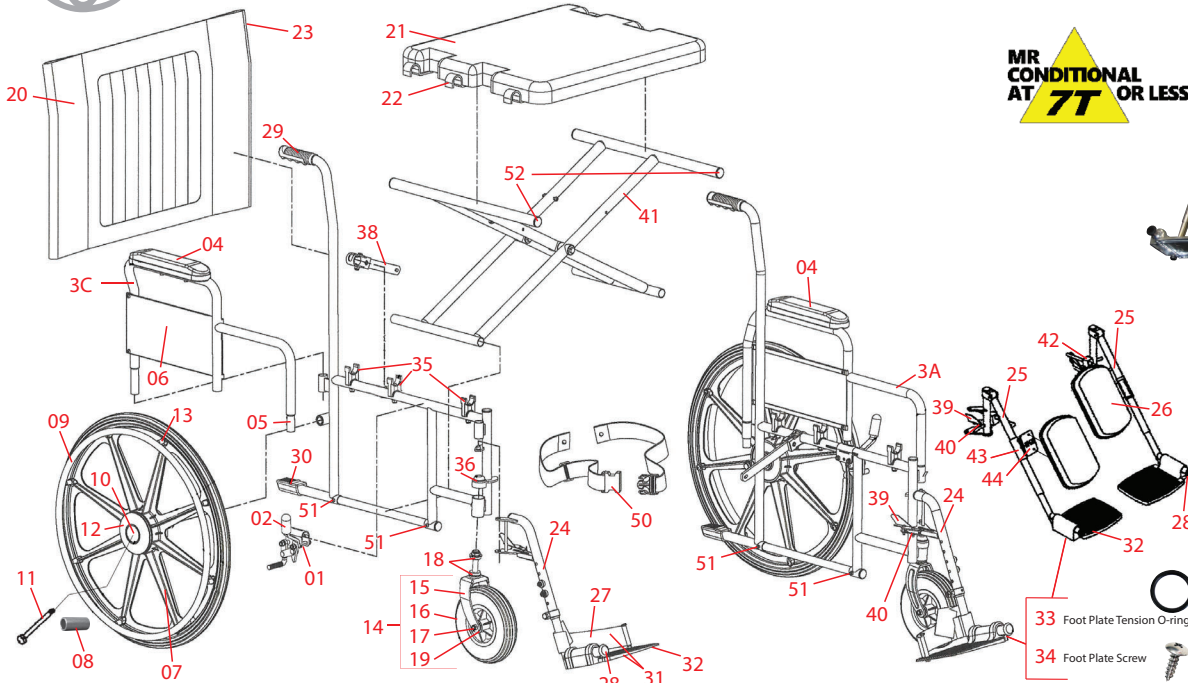


MRI SAFETY SOLUTIONS AND NON-MAGNETIC EQUIPMENT

26" Wide HD Wheelchair Desk Length Arms



**26" Wide HD  
Stainless Steel**

- WCM2626SD27
- WCM2676SD27
- WCM2626SD50
- WCM2676SD50
- WCM2626SD02
- WCM2676SD02

Fig	Model	Description	Page
01	BR8006L-01 BR8006R-01	Brake Complete, Left * Brake Complete, Right *	8 8
02	BR8007X-01	Rubber Tip for Brake	2
3A	AR2606L-01-CL	Detach Left Side Desk Length Arm, Complete with skirtguard, armrest & button lock, Color * **	11
3C	AR2606R-01-CL	Detach Right Side Desk Length Arm, Complete with skirtguard, armrest & button lock, Color * **	11
04	AR2204X-01-CL	Desk Length Armrest, Color **	12
05	AR9011X-01	Button Lock	12
06	AR3048X-01	Skirtguard 13 1/4" x 6"	12
07	WH1238X-01	24" Wheel Complete with 5/8" Bearings, Handrim & Hub Cap	5
08	HW9215X-01	Spacer, Between Wheel Bearings	7
09	WH6029X-01	Stainless Steel Handrim	7
10	BE1016X-01	5/8" Ceramic Wheel Bearing	3
11	WH6110X-01	Axle and Nut for Rear Wheel	8
12	CA3024X-01	4" Large Style Hub Cap	7
13	HW3213X-01	Handrim Screws & Spacers (set of 8)	7
14	WH3108X-01	8" Fork Assembly (fork, 8" wheel, bearings & axle)	6
15	WH9109X-01	Fork with Nut	6
16	WH3109X-01	8" Wheel with Bearings	5
17	HW6108X-01	Axle and Nut for Front Wheel	8
18	BE2019X-01	Bearing for Fork Stem	4
19	BE1017X-01	Bearing for Front Wheel	4
20	UP1313X-01-CL	Back Upholstery w/Hardware **	17
21	UP0510X-01-CL	Solid Seat Upholstery w/Straps **	17
22	UP1201X-01	Set of 3 Straps For Seat Upholstery	19

Fig	Model	Description	Page
23	UP1223X-01	Back Attaching Hardware Set	19
24	FR3107L-01 FR3107R-01	Footrest Complete Left Side * Footrest Complete Right Side *	13 13
25	LR3107L-01-CL LR3107R-01-CL	Legrest Complete Left, Color * ** Legrest Complete Right, Color * **	14 14
26	LR3108X-01	Calf Pad, Color **	14
27	AC1518L-01 AC1518R-01	Heel Loop with Hardware, Left * Heel Loop with Hardware, Right *	23 23
28	CA8016X-01 CA8004X-01	Rubber Bumper Roller Bumper	9,16 9
29	CA8007X-01	Handle Grip	9
30	CA8006X-01	Kick Tube Cap	9
31	FR3112L-01 FR3112R-01	Foot Plate w/Heel Loop, Left * Foot Plate w/Heel Loop, Right *	16 16
32	FR3111X-01	Footplate Only for Footrest & Legrest Universal Left or Right	16
33	LR7012X-01	Tension "O" Ring for Foot Plate	16
34	LR7013X-01	Screw for Foot Plate	16
35	CA3026X-01	Seat Guide (black nylon)	10
36	CA3028X-01	Journal Cap for Fork Stem	9
38	CA8022X-01	Pivot Link with Bracket and Hardware	22
39	LR7000L-01 LR7000R-01	Lock Lever Complete, Left * Lock Lever Complete, Right *	15 15
40	LR7001L-01 LR7001R-01	Spring Only for Lock Lever, Left * Spring Only for Lock Lever, Right *	15 15
41	FM2007X-01	Cross Brace Set	21
42	LR7020R-01 LR7020L-01	Adjustment Rod Complete, Left * Adjustment Rod Complete, Right *	15 15
43	LR7003X-01	Calf Pad Bracket	15
44	LE7002X-01	Calf Pad Hinge Plate	15
50	AC1511X-01	Safety Belt, for 26" Wide Chairs	23
51	CA3042X-01	Cross Brace Frame Bolt & Nut	21
52	FM3002X-01	Cross Brace Plug, set of 4	9

\* Determine Left or Right when sitting in the wheelchair  
 \*\* Upholstery Colors: 22-Burgundy, 50-Green, 02-Dk. Blue