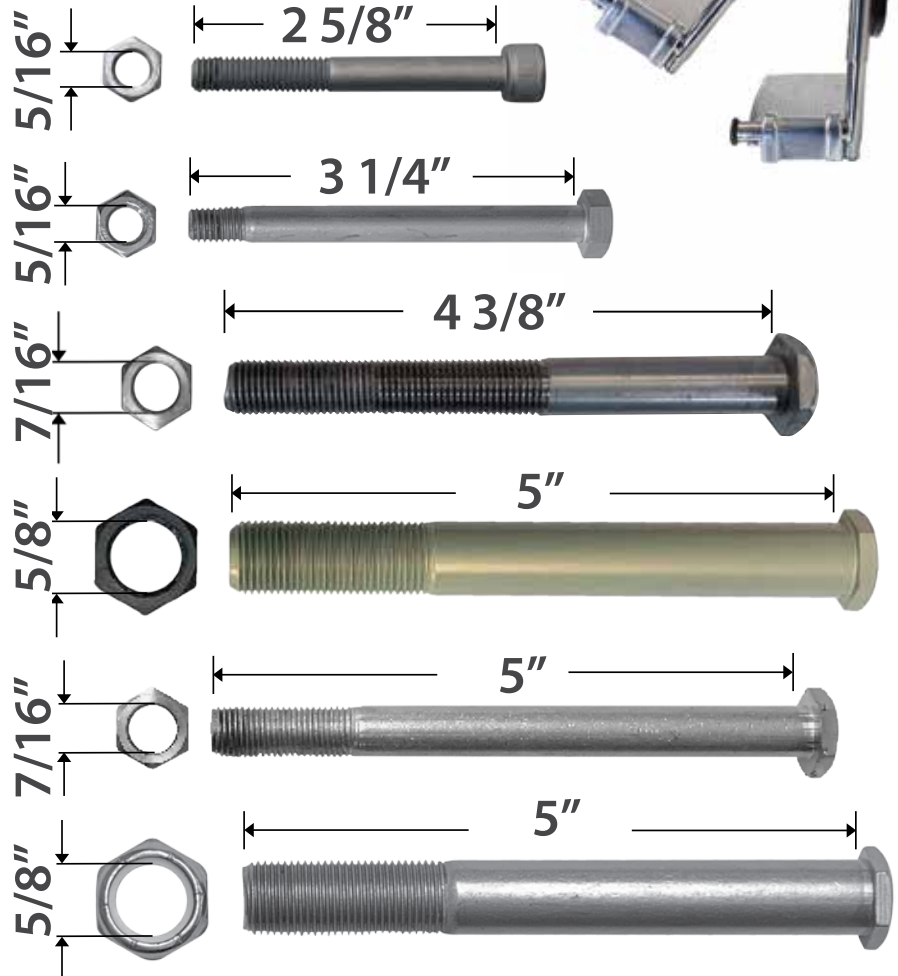




Parts & Accessories for:

- MRI Wheelchairs
- MRI Stretchers
- MRI Step Stools
- MRI Doctor Stools
- MRI Mayo Stands
- MRI Hampers
- MRI Double Step Stools
- MRI Injection Stands
- MRI Oxygen Carts





ourterms//

Office Hours: Monday thru Friday 7:00 am to 3:30 pm (CST)

Terms: Our terms are NET 30 DAYS on all new and current accounts. Payment required in Advance if not current, even if the order is complete or not. Shipments will be held if an account contains invoices over 30 days past due. The account will go on permanent Payment in Advance Status when there is a history of past dues. Third party collection fees and legal fees must be paid in full before an account can be reopened.

Prices: All prices are subject to change without notice. Prices reflect single unit cost, except where noted.

Freight: Freight will be prepaid and added to your invoice, unless a freight account is provided. Freight charges are part of your invoice and are due accordingly. Freight charges are not discountable.

Proof Of Delivery: We will provide proof of delivery at your request. The fee for proof of delivery is \$15 if the customer received the package, no charge if it was lost in delivery. Be absolutely sure you did not receive the package before calling for proof of delivery.

Returns: No item will be accepted for return after 30 days from date of purchase. All returns must be labeled with a return authorization number which can be obtained from our customer service department. **Claims for shortage, breakage or any other reason must be made within 48 hours of receipt. Shipping containers must be kept if shipment is damaged or short. All returns are subject up to a 35% restocking fee. The customer is responsible for all freight charges incurred.**

Cancellation Charges: Orders may be canceled without charge providing your request is received prior to shipment. If the merchandise has been shipped there will be up to a 35 % restocking fee, plus all freight charges incurred. Please get cancellation confirmation to avoid these charges.

Other Order Information: We reserve the right to split shipments. We sell on first come first serve basis. Where available, substitutions will be shipped if the product ordered is not available or discontinued.

ourindex//

ACCESSORIES/23-25

ARM SOCKETS/10

ARMRESTS COMPLETE/11

ARMRESTS HARDWARE/12

AXLES, SPACERS, BRACKETS/7,8

BEARINGS/3,4

BRAKES/8

BRAKE TIPS/9

BUMPERS/9

CALF PADS/14

CAPS/9

CROSS BRACES/21

DETACHABLE ARMS/11

FOOTREST PARTS/15,16

FOOTREST BUMPERS/16

FOOTRESTS/13

FORKS/6

FORK MOUNT ASSEMBLY/6

GRIPS/9

HANDRIMS/7

HANDLE GRIPS/9

HEEL LOOPS/23

IV POLES/25

KICK TUBE/9

LEGREST PARTS/15,16

LEGREST RELEASE LEVER/15

LEGRESTS/14

O2 HOLDER/25

PIVOT LINKS/22

RAIL GUIDES/10

SEAT GUIDES/10

SKIRT GUARDS/12

SLIDE POST/20

UPHOLSTERY/17,18,20

UPHOLSTERY HARDWARE/19

WHEELS/5,6

WHEELCHAIR BREAKDOWN/26-36

WHEELCHAIR FRAME/20

WHEEL SPACERS/7

STAINLESS STEEL STRETCHER/37-41

STRETCHER PADS/41,42,46

STAINLESS STRETCHER BREAKDOWN/37

ALUMINUM STRETCHER/42-45

ALUMINUM STRETCHER BREAKDOWN/43

DOCTOR STOOL/49-51

DOUBLE STEP STOOL/57-58

HAMPERS/55-56

INJECTION STAND/53-54

MAYO STAND/48

OXYGEN CART/52

STEP STOOL/47



Helpful Tips:

Determine Your Wheelchair Type:

Types: **Stainless Steel** or **Aluminum**

We have color coded and labeled each part. Determine what type you have, see pictures for reference.

Frame Made with **Stainless Steel** or

Frame Made with **Aluminum**

Note: Aluminum Wheelchairs and Stretchers are designed and made with materials to pass Non-Ferromagnetic entry systems. Please note that many stainless steel parts will fit on the aluminum chair and stretcher, but doing this will make the chair or stretcher no longer compatible with your entry system and will give false alarms. All parts are non-magnetic, but not all parts will pass entry system, so if you have an aluminum chair or stretcher, use the proper parts to keep your chair or stretcher compatible with the entry system.

Determine Your Wheelchair Size:

Determine your wheelchair size by measuring the width of your seat upholstery. If the width of your upholstery is 18", then you have an 18" Wide Wheelchair.

Exception: Chairs with Solid Seats, you must add 2" to the width of the solid seat upholstery to determine your chair size.

Example: If the width of your solid seat upholstery is 24", you will add 2" for a 26" Wide Wheelchair.

Determine Left or Right:

Determine Left or Right when sitting in chair or laying on stretcher.

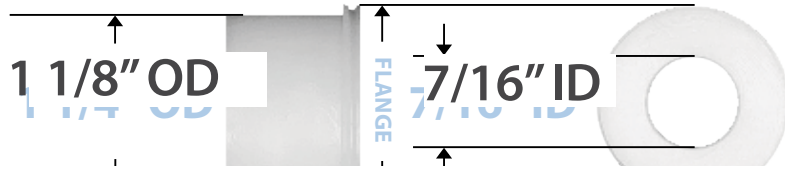


Stainless Steel
Stretcher and Wheelchair



Aluminum
Stretcher and Wheelchair

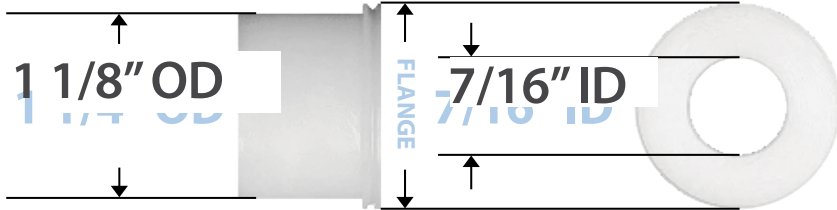




PLASTIC REAR WHEEL BEARING

MODEL # **BE1018X-01**

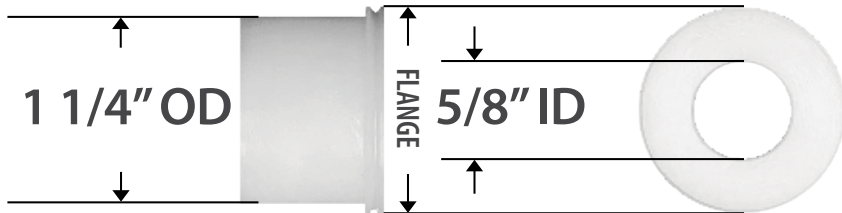
Fits 20" Wide **Stainless Steel** Transport Wheelchairs



PLASTIC REAR WHEEL BEARING

MODEL # **BE1014X-01**

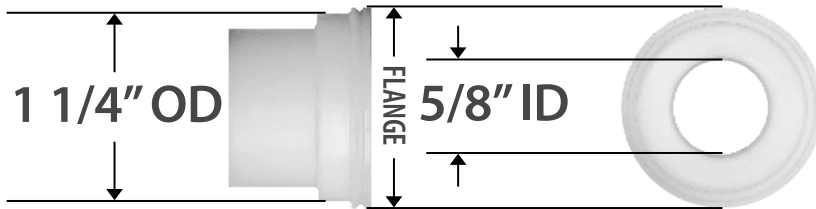
Fits 18" and 20" Wide **Stainless Steel** Wheelchairs



PLASTIC REAR WHEEL BEARING

MODEL # **BE1013X-01**

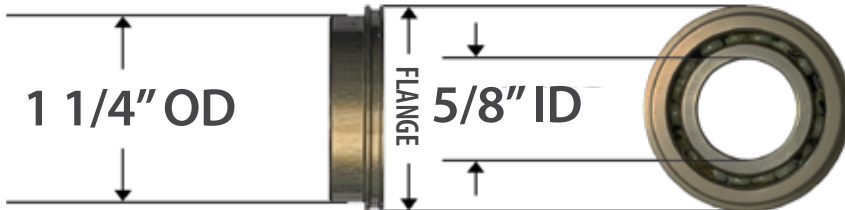
Fits 22" and 24" Wide Standard **Stainless Steel** Wheelchairs and 20" Wide **Aluminum** Wheelchairs



PLASTIC REAR WHEEL BEARING

MODEL # **BE1015X-01**

Fits 24" and 26" Wide **HD Stainless Steel** Wheelchairs, Chairs before 2013



CERAMIC REAR WHEEL BEARING

MODEL # **BE1016X-01**

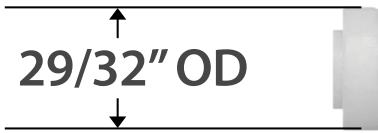
Fits 24" and 26" Wide **HD Stainless Steel** Wheelchairs
Fits 20", 22" and 24" **HD Aluminum** Wheelchairs
Optional for 22" and 24" **Stainless Steel** Wheelchairs



Wheelchair Rear Wheel Bearing Fitment Guide

Wheelchair Model	Plastic Bearing	Ceramic Bearing
18" Wide Fixed Footrests, Stainless	BE1014X-01	N/A
18" Wide Flip-Up Arms, Stainless	BE1018X-01	N/A
20" Wide Transport Chair, Stainless	BE1018X-01	N/A
20" Wide Full Arms, Stainless	BE1014X-01	N/A
22" Wide Desk Arms, Stainless	BE1013X-01	OR BE1016X-01
24" Wide Desk Arms, Stainless	BE1013X-01	OR BE1016X-01

Wheelchair Model	Plastic Bearing	Ceramic Bearing
24" Wide HD Desk Arms, Stainless	N/A	BE1016X-01
26" Wide HD Desk Arms, Stainless	N/A	BE1016X-01
20" Wide Desk Arms, Aluminum	BE1013X-01	OR BE1016X-01
22" Wide Desk Arms, Aluminum	N/A	BE1016X-01
24" Wide HD Desk Arms, Aluminum	N/A	BE1016X-01



PLASTIC FRONT WHEEL BEARING

MODEL # **BE1012X-01**

Fits All Standard **Stainless Steel** Wheelchairs



PLASTIC FRONT WHEEL BEARING

MODEL # **BE1017X-01**

Fits 24" AND 26" Wide **HD Stainless Steel** Wheelchairs

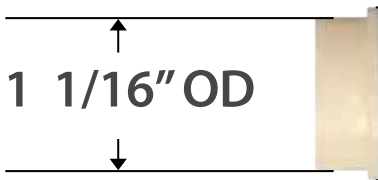
All **Aluminum** Wheelchairs



PLASTIC FORK STEM BEARING

MODEL # **BE1050X-05**

Fits 20" and 22" Wide **Aluminum** Wheelchairs



PLASTIC FORK STEM BEARING

MODEL # **BE2019X-01**

Fits All **Stainless Steel** Wheelchairs



CERAMIC FORK STEM BEARING

MODEL # **BE1051X-05**

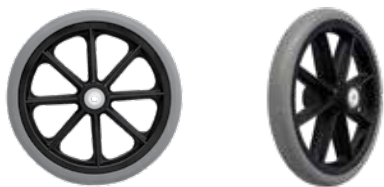
Fits 24" Wide **HD Aluminum** Wheelchairs



Wheelchair Front Wheel Bearing & Fork Stem Bearing Fitment **Guide**

Wheelchair Model	Wheel	Fork
18" Wide Fixed Footrests, Stainless	BE1012X-01	BE2019X-01
18" Wide Flip-Up Arms, Stainless	BE1012X-01	BE2019X-01
20" Wide Transport Chair, Stainless	BE1012X-01	BE2019X-01
20" Wide Full Arms, Stainless	BE1012X-01	BE2019X-01
22" Wide Desk Arms, Stainless	BE1012X-01	BE2019X-01
24" Wide Desk Arms, Stainless	BE1012X-01	BE2019X-01

Wheelchair Model	Wheel	Fork
24" Wide HD Desk Arms, Stainless	BE1017X-01	BE2019X-01
26" Wide HD Desk Arms, Stainless	BE1017X-01	BE2019X-01
20" Wide Desk Arms, Aluminum	BE1017X-01	BE1050X-01
22" Wide Desk Arms, Aluminum	BE1017X-01	BE1050X-01
24" Wide HD Desk Arms, Aluminum	BE1017X-01	BE1051X-01



8" FRONT WHEEL ASSEMBLY MR

MODEL # WH3107X-01

Fits All Standard **Stainless Steel** Wheelchairs and Transport Chairs

Size: 5/16" Axle Size, Plastic Bearing



8" FRONT WHEEL ASSEMBLY MR

MODEL # WH3109X-01

Fits 24" & 26" **HD Stainless Steel** Wheelchairs

Size: 5/16" Axle Size, Plastic Bearing



8" FRONT WHEEL ASSEMBLY MR

MODEL # WH3116X-05

Fits All **Aluminum** Wheelchairs

Size: 5/16" Axle Size, Plastic Bearing



12 1/2" TRANSPORT CHAIR REAR WHEEL ASSEMBLY MR

MODEL # WH1239X-01

Fits 20" Wide **Stainless Steel** Transport Wheelchairs

Size: 7/16" Axle Size, Plastic Bearing



24" STAINLESS STEEL HANDRIMS, BEARINGS, AND WHEELS MR

MODEL # WH1224X-01

Fits 18" & 20" Wide **Stainless Steel** Wheelchairs

Size: 7/16" Axle Size, Plastic Bearing

MODEL # WH1225X-01

Fits 22" & 24" Wide Standard **Stainless Steel** Wheelchairs

Size: 5/8" Axle Size, Plastic Bearing

MODEL # WH1238X-01

Fits 24" & 26" Wide **HD Stainless Steel** Wheelchairs

Size: 5/8" Axle Size, Ceramic Bearing



24" BLACK NYLON HANDRIMS, BEARINGS, AND WHEELS MR

MODEL # WH3130X-05

Fits 20" Wide **Aluminum** Wheelchairs

Size: 5/8" Axle Size, Plastic Bearing

MODEL # WH3131X-05

Fits 22" & 24" Wide **Aluminum** Wheelchairs

Size: 5/8" Axle Size, Ceramic Bearing

Wheelchair Wheels Fitment Guide

Wheelchair Model	8" Wheel	12 1/2" Wheel	24" Wheel
18" Wide Fixed Footrests, Stainless	WH3107X-01	N/A	WH1224X-01
18" Wide Flip-Up Arms, Stainless	WH3107X-01	N/A	WH1224X-01
20" Wide Transport Chair, Stainless	WH3107X-01	WH1239X-01	N/A
20" Wide Full Arms, Stainless	WH3107X-01	N/A	WH1224X-01
22" Wide Desk Arms, Stainless	WH3107X-01	N/A	WH1225X-01
24" Wide Desk Arms, Stainless	WH3107X-01	N/A	WH1225X-01

Wheelchair Model	8" Wheel	24" Wheel
24" Wide HD Desk Arms, Stainless	WH3109X-01	WH1238X-01
26" Wide HD Desk Arms, Stainless	WH3109X-01	WH1238X-01
20" Wide Desk Arms, Aluminum	WH3116X-05	WH3130X-05
22" Wide Desk Arms, Aluminum	WH3116X-05	WH3131X-05
24" Wide HD Desk Arms, Aluminum	WH3116X-05	WH3131X-05

Front Forks, Wheels, and Hardware



STAINLESS STEEL FRONT FORK

MODEL # **WH9109X-01**
Fits All **Stainless Steel** Wheelchairs



ALUMINUM FRONT FORK

MODEL # **WH3117X-05**
Fits 20\"/>



ALUMINUM FRONT FORK

MODEL # **WH3118X-05**
Fits 24\"/>



FRONT FORK AND WHEEL CASTER

MODEL # **WH3106X-01**
Fits All Standard **Stainless Steel** Wheelchairs



FRONT FORK AND WHEEL CASTER

MODEL # **WH3108X-01**
Fits **HD Stainless Steel** Wheelchairs



FRONT FORK AND WHEEL CASTER

MODEL # **WH3104X-05**
Fits 20\"/>



FRONT FORK AND WHEEL CASTER

MODEL # **WH3105X-05**
Fits 24\"/>



Fork Housing for Aluminum Wheelchairs



FORK MOUNT ASSEMBLY

MODEL # **WH3114L-05** (Left)
Fits 20\"/>



MODEL # **WH3114R-05** (Right)
Fits 20\"/>



FORK MOUNT ASSEMBLY

MODEL # **WH3115L-05** (Left)
Fits 24\"/>



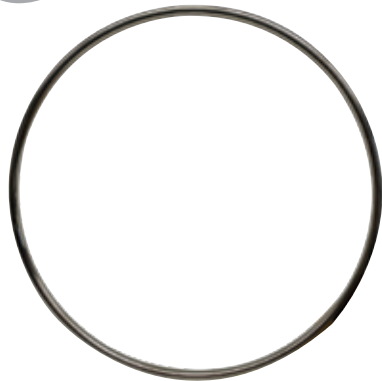
MODEL # **WH3115R-05** (Right)
Fits 24\"/>

Wheelchair Fork & Wheels Fitment Guide

Wheelchair Model	Fork	Fork/Wheel
18\"/>	WH9109X-01	WH3106X-01
18\"/>	WH9109X-01	WH3106X-01
20\"/>	WH9109X-01	WH3106X-01
20\"/>	WH9109X-01	WH3106X-01
22\"/>	WH9109X-01	WH3106X-01
24\"/>	WH9109X-01	WH3106X-01

Wheelchair Model	Fork	Fork/Wheel	Fork Mount	Fork Mount
24\"/>	WH9109X-01	WH3108X-01	N/A	N/A
26\"/>	WH9109X-01	WH3108X-01	N/A	N/A
20\"/>	WH3117X-05	WH3104X-05	WH3114L-05	WH3114R-05
22\"/>	WH3117X-05	WH3104X-05	WH3114L-05	WH3114R-05
24\"/>	WH3118X-05	WH3105X-05	WH3115L-05	WH3115R-05

Determine Left or Right When Sitting In Chair



STAINLESS STEEL HARDWARE

AND HANDRIMS

MODEL # **WH3029X-01**

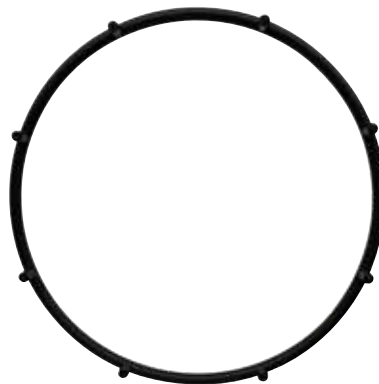
Fits all **Stainless Steel** Wheelchairs

Description: Stainless Steel Handrim

MODEL # **WH9213X-01**

Fits all **Stainless Steel** Wheelchairs

Description: Stainless Screws and Spacers, Set of 8



BLACK NYLON HARDWARE

AND HANDRIMS

MODEL # **WH3124X-05**

Fits All **Aluminum** Wheelchairs

Description: Black Nylon Handrim

MODEL # **WH3122X-05**

Fits All **Aluminum** Wheelchairs

Description: Aluminum Screws and Washers, Set of 8

WH9216X-01



WH9217X-01



REAR WHEEL AXLE WASHER

Washer goes between Axle Head and Bearing, Used with Plastic Bearings

MODEL # **WH9216X-01**

Fits 18" & 20" Wide **Aluminum** Wheelchairs

Size: 7/16" Axle Size, Aluminum

MODEL # **WH9217X-01**

Fits 22" & 24" Wide Standard **Stainless Steel** Wheelchairs and 20" Wide **Aluminum** Wheelchair

Size: 5/8" Axle Size, Aluminum



REAR WHEEL AXLE BRACKET W/ HARDWARE

MODEL # **WH3125L-05** (Left)

Fits All **Aluminum** Wheelchairs

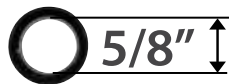
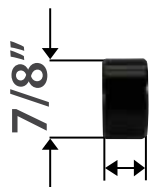
Size: 5/8" Axle Size, Aluminum

MODEL # **WH3125R-05** (Right)

Fits All **Aluminum** Wheelchairs

Size: 5/8" Axle Size, Aluminum

Determine Left or Right When Sitting In Chair

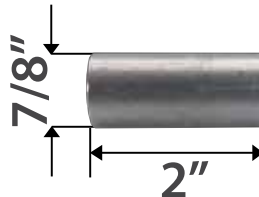


REAR WHEEL SPACER

MODEL # **WH3137X-05**

Fits All **Aluminum** Wheelchairs, Spacer Goes Between Wheel and Frame

Size: 5/8" Axle Size, Aluminum



USE WITH CERAMIC BEARING, REAR WHEEL BUSHING/SPACER

MODEL # **HW9215X-01**

Fits 24" and 26" **HD Stainless Steel** Wheelchairs and 24" **HD Aluminum** Wheelchairs.

Use when Ceramic Bearings are Used. Spacer goes Inbetween Bearings in Wheel.

Size: 5/8" Axle Size, Aluminum

Wheelchair Wheels Hardware & Handrim Guide

Wheelchair Model	Washer	Handrim
18" Wide Fixed Footrests, Stainless	HW9216X-01	WH6029X-01
18" Wide Flip-Up Arms, Stainless	HW9216X-01	WH6029X-01
20" Wide Transport Chair, Stainless	HW9216X-01	WH6029X-01
20" Wide Full Arms, Stainless	HW9216X-01	WH6029X-01
22" Wide Desk Arms, Stainless	HW9217X-01	WH6029X-01
24" Wide Desk Arms, Stainless	HW9217X-01	WH6029X-01

Wheelchair Model	Bushing	Washer	Handrim	Spacer
24" Wide HD Desk Arms, Stainless	HW9215X-01	N/A	WH6029X-01	N/A
26" Wide HD Desk Arms, Stainless	HW9215X-01	N/A	WH6029X-01	N/A
20" Wide Desk Arms, Aluminum	N/A	HW9217X-01	WH3124X-05	WH3137X-05
22" Wide Desk Arms, Aluminum	HW9215X-01	N/A	WH3124X-05	
24" Wide HD Desk Arms, Aluminum	HW9215X-01	N/A	WH3124X-05	WH3137X-05

STAINLESS STEEL BRAKES

MODEL # BR8006L-01 (Left)
Fits all **Stainless Steel** Wheelchairs
MODEL # BR8006R-01 (Right)
Fits all **Stainless Steel** Wheelchairs



ALUMINUM BRAKES

MODEL # BR8008L-05 (Left)
Fits All **Aluminum** Wheelchairs
MODEL # BR8008R-05 (Right)
Fits All **Aluminum** Wheelchairs

Determine Left or Right When Sitting In Chair

WHEELCHAIR AXLES

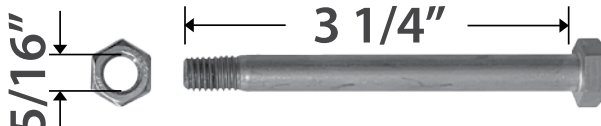
ALUMINUM, FRONT AXLE

MODEL # WH3119X-05 ⚠️
Fits All **Aluminum** Wheelchairs



STAINLESS STEEL REAR AXLE

MODEL # HW6108X-01 ⚠️
Fits All **Stainless Steel** Wheelchairs



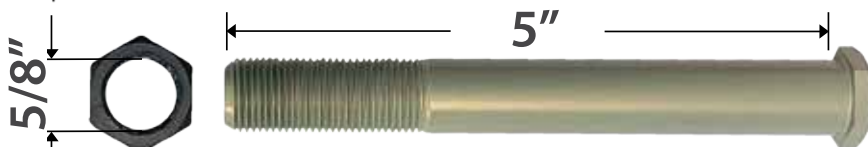
STAINLESS STEEL REAR AXLE

MODEL # WH1240X-01 ⚠️
Fits 20" Wide **Stainless Steel** Transport Chairs



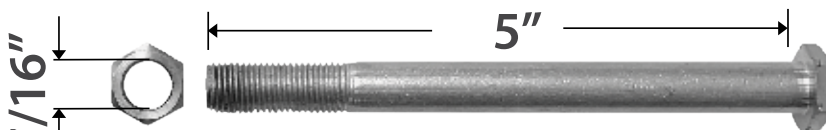
ALUMINUM REAR AXLE

MODEL # WH3121X-05 ⚠️
Fits All **Aluminum** Wheelchairs



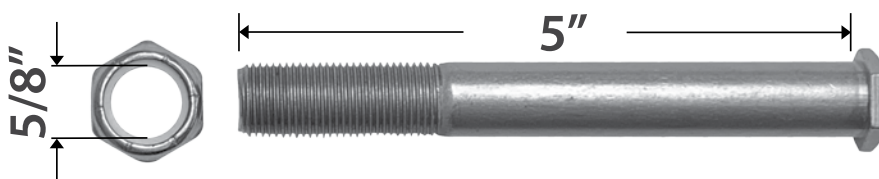
STAINLESS STEEL REAR AXLE

MODEL # WH6109X-01 ⚠️
Fits 18" & 20" **Stainless Steel** Wheelchairs



STAINLESS STEEL REAR AXLE

MODEL # WH6110X-01 ⚠️
Fits 22", 24" and 26" Standard and **HD Stainless Steel** Wheelchairs



Wheelchair Axle Fitment Guide

Wheelchair Model	Front	Rear	Wheelchair Model	Front	Rear
18" Wide Fixed Footrests, Stainless	HW6108X-01	HW6109x-01	24" Wide HD Desk Arms, Stainless	HW6108X-01	WH6110X-01
18" Wide Flip-Up Arms, Stainless	HW6108X-01	HW6109x-01	26" Wide HD Desk Arms, Stainless	HW6108X-01	WH6110X-01
20" Wide Transport Chair, Stainless	HW6108X-01	WH1240X-01	20" Wide Desk Arms, Aluminum	WH3119X-05	WH3121X-05
20" Wide Full Arms, Stainless	HW6108X-01	HW6109x-01	22" Wide Desk Arms, Aluminum	WH3119X-05	WH3121X-05
22" Wide Desk Arms, Stainless	HW6108X-01	WH6110X-01	24" Wide HD Desk Arms, Aluminum	WH3119X-05	WH3121X-05
24" Wide Desk Arms, Stainless	HW6108X-01	WH6110X-01			

BREAK TIPS AND **HANDGRIPS**



BREAK TIP
 MODEL # BR8007X-01
 Fits All Wheelchairs



FOAM HANDGRIP
 MODEL # FM1008X-05
 Fits All **Aluminum** Wheelchairs



PLASTIC HANDGRIP
 MODEL # CA8007X-01
 Fits All **Stainless Steel** Wheelchairs

JOURNAL **CAPS**



JOURNAL CAP
 MODEL # CA3028X-01
 Fits All **Stainless Steel** Wheelchairs



JOURNAL CAP
 MODEL # WH3132X-05
 Fits 20" & 22" **Aluminum** Wheelchairs



JOURNAL AND HUB CAP
 MODEL # CA3025X-01
 Fits 24" Wide **HD Aluminum** Wheelchairs
 Hub Cap for Old **HD 24"** and **26" Stainless Steel**
 Wheelchairs Before 2013

FOOTREST **BUMPERS**



FOOTREST ROLLER BUMPER
 MODEL # CA8004X-01
 Fits All **Stainless Steel** Wheelchairs



FOOTREST BUMPER
 MODEL # CA8016X-01
 Fits All **Stainless Steel** Wheelchairs

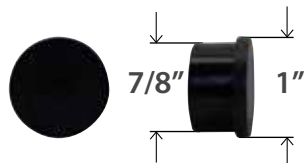


FRONT SCREW HARDWARE W/ BUMPER
 MODEL # LR7016X-01
 Fits 24" Wide **HD Aluminum** Wheelchairs

WHEELCHAIR CROSS BRACE **PLUGS**



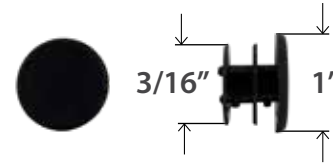
CROSS BRACE PLUG
 MODEL # CA3042X-01
 Fits 18" Fixed Footrest **Stainless Steel** Wheelchairs, set of 4



CROSS BRACE PLUG
 MODEL # FM3001X-01
 Fits 18" to 24" **Stainless Steel** Wheelchairs, set of 4



CROSS BRACE PLUG
 MODEL # FM3002X-01
 Fits 24 and 26" **HD Stainless Steel** Wheelchairs, set of 4



CROSS BRACE PLUG
 MODEL # FM3000X-01
 Fits 20" and 22" **Aluminum** Wheelchairs, set of 4

WHEELCHAIR HUB CAP AND **KICKTUBES**



WHEELCHAIR HUB CAPS
 MODEL # CA3024X-01
 Fits All standard **Stainless Steel** and **Aluminum** Wheelchairs



WHEELCHAIR KICKTUBE BUMPER
 MODEL # CA8006X-01
 Fits All **Stainless Steel** Wheelchairs



WHEELCHAIR KICKTUBE BUMPER
 MODEL # FM1005X-05
 Fits 20" and 22" **Aluminum** Wheelchairs

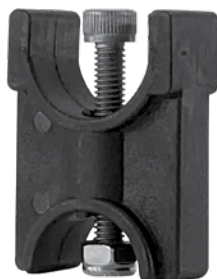


WHEELCHAIR KICKTUBE BUMPER
 MODEL # FM1009X-05
 Fits 24" **HD Aluminum** Wheelchairs



WHEELCHAIR RAIL **GLIDE**

MODEL # CA3029X-01 **Stainless Steel**
Fits 18" Wide Fixed Footrest Wheelchairs



WHEELCHAIR SEAT **GUIDE**

MODEL # CA3026X-01
Fits Front and Rear on,
All **Stainless Steel** Wheelchairs



WHEELCHAIR SEAT **GUIDE**

MODEL # AR5007X-05
Fits Rear, 20" and 22" Wide **Aluminum**
Wheelchairs



WHEELCHAIR SEAT **GUIDE**

MODEL # AR5009X-05
Fits Front, 22" Wide **Aluminum** Wheelchairs



WHEELCHAIR SEAT / ARM **GUIDE**

MODEL # CA3027L-01 (Left)
Fits 18" Wide Flip-Up Arm **Stainless Steel** Wheelchairs

MODEL # CA3027R-01 (Right)
Fits 18" Wide Flip-Up Arm **Stainless Steel** Wheelchairs
Left Side Pictured



WHEELCHAIR SEAT / ARM **GUIDE**

MODEL # AR5006L-05 (Left)
Fits 22" and 24" **HD** Wide **Aluminum** Wheelchairs

MODEL # AR5006R-05 (Right)
Fits 22" and 24" **HD** Wide **Aluminum** Wheelchairs
Left Side Pictured



WHEELCHAIR SEAT / ARM **GUIDE**

MODEL # AR5005L-05 (Left)
Fits 20" Wide **Aluminum** Wheelchairs

MODEL # AR5005R-05 (Right)
Fits 20" Wide **Aluminum** Wheelchairs
Left Side Pictured

Wheelchair Seat Guide & Arm Sockets Fitment **Guide**

Wheelchair Model	Left Guide	Right Guide
18" Wide Fixed Footrests, Stainless	CA3029X-01	A3029X-01
18" Wide Flip-Up Arms, Stainless	CA3027L-01 CA3026X-01	CA3027R-01 CA3026X-01
20" Wide Transport Chair, Stainless	CA3026X-01	CA3026X-01
20" Wide Full Arms, Stainless	CA3026X-01	CA3026X-01
22" Wide Desk Arms, Stainless	CA3026X-01	CA3026X-01
24" Wide Desk Arms, Stainless	CA3026X-01	CA3026X-01

Wheelchair Model	Left Guide	Right Guide
24" Wide HD Desk Arms, Stainless	CA3026X-01	CA3026X-01
26" Wide HD Desk Arms, Stainless	CA3026X-01	CA3026X-01
20" Wide Desk Arms, Aluminum	AR5007X-05 AR5005L-05	AR5007X-05 AR5005R-05
22" Wide Desk Arms, Aluminum	AR5007X-05 AR5006L-05 AR5009X-05	AR5007X-05 AR5006R-05 AR5009X-05
24" Wide HD Desk Arms, Aluminum	AR5006L-05	AR5006R-05

Determine Left or Right When Sitting In Chair

WHEELCHAIR ARMS



FULL ARM ASSEMBLY ⚠

MODEL # AR2605L-01-CL (Left)
Fits 18" Fixed Footrests and 20" Wide **Stainless Steel** Wheelchairs
MODEL # AR2605R-01-CL (Right)
Fits 18" Fixed Footrests and 20" Wide **Stainless Steel** Wheelchairs



FULL ARM ASSEMBLY ⚠

MODEL # AR2607L-01-CL (Left)
Fits 22" and 24" Wide **Stainless Steel** Wheelchairs
MODEL # AR2607R-01-CL (Right)
Fits 22" and 24" Wide **Stainless Steel** Wheelchairs



FULL ARM ASSEMBLY ⚠

MODEL # AR2606L-01-CL (Left)
Fits 24" and 26" **HD** Wide **Stainless Steel** Wheelchairs
MODEL # AR2606R-01-CL (Right)
Fits 24" and 26" **HD** Wide **Stainless Steel** Wheelchairs



FULL ARM ASSEMBLY ⚠

MODEL # AR2604L-01-CL (Left)
Fits 18" Wide Flip-Up Arm **Stainless Steel** Wheelchairs
MODEL # AR2604R-01-CL (Right)
Fits 18" Wide Flip-Up Arm **Stainless Steel** Wheelchairs



FULL ARM ASSEMBLY ⚠

MODEL # AR5003L-01-CL (Left)
Fits 20" Wide **Aluminum** Wheelchairs
MODEL # AR5003R-01-CL (Right)
Fits 20" Wide **Aluminum** Wheelchairs



FULL ARM ASSEMBLY ⚠

MODEL # AR5003L-01-CL (Left)
Fits 22" Wide and 24" **HD** Wide **Aluminum** Wheelchairs
MODEL # AR5003R-01-CL (Right)
Fits 22" Wide and 24" **HD** Wide **Aluminum** Wheelchairs

Determine Left or Right When Sitting In Chair

Specify Color

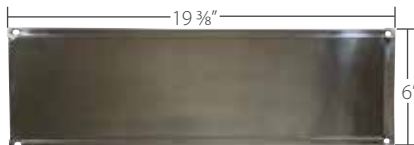


Wheelchair Armrest Assembly Fitment Guide

Wheelchair Model	Left Side	Right Side	Wheelchair Model	Left Side	Right Side
18" Wide Fixed Footrests, Stainless	AR2605L-01-CL	AR2605R-01-CL	24" Wide HD Desk Arms, Stainless	AR2606L-01-CL	AR2607R-01-CL
18" Wide Flip-Up Arms, Stainless	AR2604L-01-CL	AR2604R-01-CL	26" Wide HD Desk Arms, Stainless	AR2607L-01-CL	AR2607R-01-CL
20" Wide Transport Chair, Stainless	AR2605L-01-CL	AR2605R-01-CL	20" Wide Desk Arms, Aluminum	AR5003L-05-CL	AR5003R-05-CL
20" Wide Full Arms, Stainless	AR2605L-01-CL	AR2605R-01-CL	22" Wide Desk Arms, Aluminum	AR5004L-05-CL	AR5004R-05-CL
22" Wide Desk Arms, Stainless	AR2607L-01-CL	AR2607R-01-CL	24" Wide HD Desk Arms, Aluminum	AR5004L-05-CL	AR5004R-05-CL
24" Wide Desk Arms, Stainless	AR2607L-01-CL	AR2607R-01-CL			

Determine Left or Right When Sitting In Chair

SKIRT GUARDS



SKIRT GUARD

MODEL # AR3049X-01

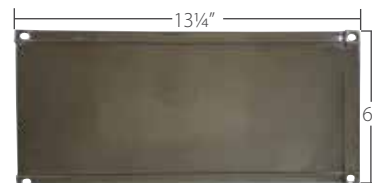
Fits 18" Fixed Footrests and 20" Wide **Stainless Steel** Wheelchairs
Attaching Hardware Included



SKIRT GUARD

MODEL # AR3052X-01

Fits 18" Wide Flip-Up Arm **Stainless Steel** Wheelchairs
Attaching Hardware Included



SKIRT GUARD

MODEL # AR3048X-01

Fits 22" and 24" Standard Wheelchairs and 24" & 26" **HD Stainless Steel** Wheelchairs
Attaching Hardware Included



FLIP-BACK ARM HARDWARE

MODEL # AR9012X-01

Fits 18" Wide Flip-Up Arm **Stainless Steel** Wheelchairs
Parts: Nut, Bolt, Bushings, & Spacers



FLIP-BACK ARM HARDWARE

MODEL # AR5010X-05

Rear Arm Hardware for **Aluminum** Flip Back Arms
Parts: Nut, Bolt, & Spacers



SKIRT GUARD

MODEL # AR5002X-05

Fits All **Aluminum** Wheelchairs



ARMREST BUTTON LOCK

MODEL # AR9011X-01

Fits All **Stainless Steel** Wheelchairs



ARMREST RELEASE LEVER

MODEL # CA8008X-01

Fits 18" Wide Flip-Up Arm **Stainless Steel** Wheelchairs
Fits All **Aluminum** Wheelchairs

ARMPADS



FULL LENGTH ARMPAD

MODEL # AR1204X-01-CL

Fits 18" Wide Fixed Footrest, **Stainless Steel**
Fits 20" Transport Chair **Stainless Steel**
Fits 20" Full Arms, **Stainless Steel**
Size: 9" Hole Spacing



DESK LENGTH ARMPAD

MODEL # AR2204X-01-CL

Fits 18" Wide Flip-Up Arm, **Stainless Steel**
Fits 22" Wide Desk Arms, **Stainless Steel**
Fits 24" Wide Desk Arms, **Stainless Steel**
Fits 24" Wide **HD** Desk Arms, **Stainless Steel**
Fits 26" Wide **HD** Desk Arms, **Stainless Steel**
Size: 4 1/4" Hole Spacing



DESK LENGTH ARMPAD

MODEL # AR5001X-05-CL

Fits All **Aluminum** Wheelchairs
Size: 4 1/4" Hole Spacing



Specify Color



(22) Burgundy



(50) Green



(02) Dark Blue

Wheelchair Skirt Guards & Armrest Fitment Guide

Wheelchair Model	Skirt Guard	Arm Rest	Wheelchair Model	Skirt Guard	Arm Rest
18" Wide Fixed Footrests, Stainless	AR3049X-01	AR1204X-01-CL	24" Wide HD Desk Arms, Stainless	AR3048X-01	AR2204X-01-CL
18" Wide Flip-Up Arms, Stainless	AR3052X-01	AR2204X-01-CL	26" Wide HD Desk Arms, Stainless	AR3048X-01	AR2204X-01-CL
20" Wide Transport Chair, Stainless	AR3049X-01	AR1204X-01-CL	20" Wide Desk Arms, Aluminum	AR50002X-05	AR5001X-05-CL
20" Wide Full Arms, Stainless	AR3049X-01	RP-1035-CL	22" Wide Desk Arms, Aluminum	AR5002X-05	AR5001X-05-CL
22" Wide Desk Arms, Stainless	AR3048X-01	AR2204X-01-CL	24" Wide HD Desk Arms, Aluminum	AR50002X-05	AR5001X-05-CL
24" Wide Desk Arms, Stainless	AR3048X-01	AR2204X-01-CL			



COMPLETE FOOTREST

MODEL # FR3104L-01 (Left)
Fits 18" Wide Flip-Up Arm and 20" Wide **Stainless Steel** Wheelchairs
Size: Pin Spacing 3" Standard, 5/16" Pin Hole

MODEL # FR3104R-01 (Right)
Fits 18" Wide Flip-Up Arm and 20" Wide **Stainless Steel** Wheelchairs
Size: Pin Spacing 3" Standard, 5/16" Pin Hole

COMPLETE FOOTREST

MODEL # FR3105L-01 (Left)
Fits 22" and 24" Wide Standard **Stainless Steel** Wheelchairs
Size: Pin Spacing 3" Standard, 5/16" Pin Hole

MODEL # FR3105R-01 (Right)
Fits 22" and 24" Wide Standard **Stainless Steel** Wheelchairs
Size: Pin Spacing 3" Standard, 5/16" Pin Hole

COMPLETE FOOTREST

MODEL # FR3107L-01 (Left)
Fits 24" and 26" Wide **HD Stainless Steel** Wheelchairs
Size: Pin Spacing 3" Standard, 5/16" Pin Hole

MODEL # FR3107R-01 (Right)
Fits 24" and 26" Wide **HD Stainless Steel** Wheelchairs
Size: Pin Spacing 3" Standard, 5/16" Pin Hole

Determine Left or Right When Sitting In Chair

COMPLETE FOOTREST

MODEL # FR3201L-05 (Left)
Fits 20" and 22" Wide **Aluminum** Wheelchairs

MODEL # FR3201R-05 (Right)
Fits 20" and 22" Wide **Aluminum** Wheelchairs



COMPLETE FOOTREST

MODEL # FR3202L-05 (Left)
Fits 24" Wide **HD Aluminum** Wheelchairs

MODEL # FR3202R-05 (Right)
Fits 24" Wide **HD Aluminum** Wheelchairs



Wheelchair Footrest Assembly Fitment Guide

Wheelchair Model	Footrest Left	Footrest Right	Wheelchair Model	Footrest Left	Footrest Right
18" Wide Fixed Footrests, Stainless	N/A	N/A	24" Wide HD Desk Arms, Stainless	FR3107L-01	FR3107R-01
18" Wide Flip-Up Arms, Stainless	FR3104L-01	FR3104R-01	26" Wide HD Desk Arms, Stainless	FR3107L-01	FR3107R-01
20" Wide Transport Chair, Stainless	FR3104L-01	FR3104R-01	20" Wide Desk Arms, Aluminum	FR3201L-05	FR3201R-05
20" Wide Full Arms, Stainless	FR3104L-01	FR3104R-01	22" Wide Desk Arms, Aluminum	FR3201L-05	FR3201R-05
22" Wide Desk Arms, Stainless	FR3105L-01	FR3105R-01	24" Wide HD Desk Arms, Aluminum	FR3202L-05	FR3202R-05
24" Wide Desk Arms, Stainless	FR3105L-01	FR3105R-01			

Determine Left or Right When Sitting In Chair



Standard



COMPLETE ELEVATING LEGREST

MODEL # LR3104L-01-CL (Left)
Fits 18", 20", 22" and 24" Wide **Stainless Steel** Wheelchairs

Size: Pin Spacing 3" Standard, 5/16" Pin Hole

MODEL # LR3104R-01-CL (Right)
Fits 18", 20", 22" and 24" Wide **Stainless Steel** Wheelchairs

Size: Pin Spacing 3" Standard, 5/16" Pin Hole



Heavy Duty



CALFPAD

MODEL # LR3108X-01-CL
Fits All **Stainless Steel** Wheelchairs
Replacement Calf Pad For Legrests

COMPLETE ELEVATING LEGREST

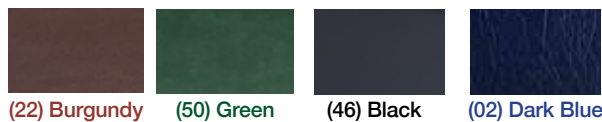
MODEL # LR3107L-01-CL (Left)
Fits 24" and 26" Wide **HD Stainless Steel** Wheelchairs

Size: Pin Spacing 3" Standard, 5/16" Pin Hole

MODEL # LR3107R-01-CL (Right)
Fits 24" and 26" Wide **HD Stainless Steel** Wheelchairs

Size: Pin Spacing 3" Standard, 5/16" Pin Hole

Specify Color



Wheelchair Footrest & Legrest Fitment Guide

Wheelchair Model	Legrest Left	Legrest Right	Wheelchair Model	Legrest Left	Legrest Left
18" Wide Fixed Footrests, Stainless	N/A	N/A	24" Wide HD Desk Arms, Stainless	LR3107L-01-CL	LR3107R-01-CL
18" Wide Flip-Up Arms, Stainless	LR3104L-01-CL	LR3104R-01-CL	26" Wide HD Desk Arms, Stainless	LR3107L-01-CL	LR3107R-01-CL
20" Wide Transport Chair, Stainless	LR3104L-01-CL	LR3104R-01-CL	20" Wide Desk Arms, Aluminum	N/A	N/A
20" Wide Full Arms, Stainless	LR3104L-01-CL	LR3104R-01-CL	22" Wide Desk Arms, Aluminum	N/A	N/A
22" Wide Desk Arms, Stainless	LR3104L-01-CL	LR3104R-01-CL	24" Wide HD Desk Arms, Aluminum	N/A	N/A
24" Wide Desk Arms, Stainless	LR3104L-01-CL	LR3104R-01-CL			

Determine Left or Right When Sitting In Chair

Stainless Steel Footrest and Legrest **Parts**



FOOTREST AND LEGREST RELEASE **SPRING** ⚠️

MODEL # LR7001L-01 (Left)
Fits All **Stainless Steel** Footrests and Legrests
MODEL # LR7001R-01 (Right)
Fits All **Stainless Steel** Footrest and Legrests



FOOTREST AND LEGREST LOCK **LEVER** ⚠️

MODEL # LR7000L-01 (Left)
Fits All **Stainless Steel** Footrests and Legrests
MODEL # LR7000R-01 (Right)
Fits All **Stainless Steel** Footrests and Legrests

Determine Left or Right When Sitting In Chair



LEGREST CALF PAD **HINGE** ⚠️

MODEL # LR7002X-01
Fits All **Stainless Steel** Legrests



LEGREST CALF PAD **BRACKET**

MODEL # LR7003X-01 ⚠️
Fits All **Stainless Steel** Legrests



LEGREST ADJUSTMENT **ROD** ⚠️

MODEL # LR7020L-01 (Left)
Fits All **Stainless Steel** Legrests
MODEL # LR7020R-01 (Right)
Fits All **Stainless Steel** Legrests

Aluminum Footrest **Parts**



FOOTREST LOCK **LEVER** ⚠️

MODEL # FR3210X-05
Fits All **Aluminum** Footrests



FOOTREST LOCK **U-PIN** ⚠️

MODEL # FR1010X-05
Fits All **Aluminum** Wheelchairs



FOOTREST **SPRING** MRI

MODEL # CA8015X-05
Fits All **Aluminum** Footrests



FRONT RIGGING TOP MOUNT **BUSHING** ⚠️

MODEL # FM1013X-05
Fits All **Aluminum** Wheelchairs

Standard **Footplates**



FOOTPLATE ⚠️

MODEL # FR3108X-01
Fits 18", 20", 22", and 24" Wide Standard **Stainless Steel** Wheelchairs



HEEL LOOP AND **FOOTPLATE** ⚠️

MODEL # FR3109L-01 (Left)
Fits 18", 20", 22", and 24" Wide Standard **Stainless Steel** Wheelchairs

MODEL # FR3109R-01 (Right)
Fits 18", 20", 22", and 24" Wide Standard **Stainless Steel** Wheelchairs



FOOTREST PLATE & EXTENSION TUBE ⚠️

MODEL # FR8808L-01 (Left)
Fits 18" Wide Fixed Footrest **Stainless Steel** Wheelchairs

Heel Loop and Rubber Bumper Included
MODEL # FR8808R-01 (Right)
Fits 18" Wide Fixed Footrest **Stainless Steel** Wheelchairs
Heel Loop and Rubber Bumper Included

Heavy Duty **Footplates**



HD FOOTPLATE ⚠️

MODEL # FR3111X-01
Fits 24" and 26" Wide **Stainless Steel** Wheelchairs
Fits 24" Wide **HD Aluminum** Wheelchair



HEEL LOOP AND **HD FOOTPLATE** ⚠️

MODEL # FR3112L-01 (Left)
Fits 24" and 26" Wide **HD Stainless Steel** Wheelchairs
Fits 24" Wide **HD Aluminum** Wheelchair

MODEL # FR3112R-01 (Right)
Fits 24" and 26" Wide **HD Stainless Steel** Wheelchairs
Fits 24" Wide **HD Aluminum** Wheelchair



PLASTIC **FOOTPLATE** MR

MODEL # FR3113X-05
Fits 20" and 22" Wide **Aluminum** Wheelchairs
Plastic Footplate only

ATTACHING **HARDWARE** ⚠️

MODEL # FR9218X-01
Fits 20" and 22" Wide **Aluminum** Wheelchairs
Bolt and Plastic washers for attaching footplate

Footrest and Legrests **Parts**



FRONT RIGGING **BUMPER SCREW** ⚠️

MODEL # LR7013X-01
Fits All **Stainless Steel** Wheelchairs



FOOTPLATE TENSION "O"-RING MR

MODEL # LR7012X-01
Fits All **Stainless Steel** Wheelchairs



HEEL LOOP **BOLT**

MODEL # HL5100X-01
Fits All **Stainless Steel** Wheelchairs



FRONT RIGGING, **ROLLER BUMPER** ⚠️

MODEL # CA8004X-01
Fits All **Stainless Steel** Wheelchairs



FRONT RIGGING **BUMPER** MR

MODEL # CA8016X-01
Fits All **Stainless Steel** Wheelchairs



FRONT BUMPER W/ **SCREW HARDWARE** ⚠️

MODEL # LR7016X-01
Fits 24" Wide **HD Aluminum** Wheelchairs



Back, Wheelchair Upholstery

Fits **Stainless Steel** Wheelchair Sizes Below
Attaching Hardware Included
Hole Punch, On Sizes Listed Below
From Top to Bottom: 3/4" - 5 1/2" - 5 1/2" - 5 1/2"

Model	Width	Height
UP1310X-01-CL	18"	18"
UP1315X-01-CL	20"	18"
UP1312X-01-CL	22"	18"
UP1314-01-CL	24"	19"



Seat, Wheelchair Upholstery

Fits **Stainless Steel** Wheelchair Sizes Below
Attaching Hardware Included
Hole Punch, On Sizes Listed Below
From Front to Back for 18" and 20" Wide: 2" - 4" - 4" - 4"
From Front to Back for 22" and 24" Wide: 3" - 4" - 4" - 4"

Model	Width	Depth
UP0310X-01-CL	18"	16"
UP0710X-01-CL	20"	16"
UP0410X-01-CL	22"	18"
UP0610X-01-CL	24"	18"



Back, HD Wheelchair Upholstery

Fits **Stainless Steel** Wheelchair Sizes Below
Attaching Hardware Included
Hole Punch, One on Top, Slides Over Wheelchair Canes

Model	Width	Height
UP1318X-01-CL	24"	19"
UP1313X-01-CL	26"	19"



Solid Seat, HD Wheelchair Upholstery

Fits **Stainless Steel** Wheelchair Sizes Below
Attaching Hardware Hooks Included

Model	Width	Depth
UP0810X-01-CL	22"	20"
UP0510X-01-CL	24"	20"



All Upholstery is MR Conditional



Specify Color



(22) Burgundy



(50) Green



(02) Dark Blue



Back, Wheelchair Upholstery

Fits **Aluminum** Wheelchair Sizes Below
Attaching Hardware Included
Hole Punch, One on Top, Slides Over Wheelchair Canes

Model	Width	Height
UP1404X-05-CL	20"	18"
UP1405X-05-CL	22"	19"



Seat, Wheelchair Upholstery

Fits **Aluminum** Wheelchair Sizes Below
Attaching Hardware Included
Hole Punch, On Sizes Listed Below
From Front to Back for 20" Wide: 5/8" - 2" - 4 3/4" - 4 3/4" - 3 1/4"
From Front to Back for 22" Wide: 3/4" - 2 1/4" - 4 3/4" - 4 3/4" - 4 3/4"

Model	Width	Depth
UP1401X-05-CL	20"	16"
UP1402X-05-CL	22"	18"



Back, HD Wheelchair Upholstery

Fits **Aluminum** Wheelchair Size Below
Attaching Hardware Included
Hole Punch, One on Top, Slides Over Wheelchair Canes
Fits: 24" **Aluminum** Wheelchair

Model	Width	Height
UP1406X-05-CL	25"	19"



Solid Seat, HD Wheelchair Upholstery

Fits **Aluminum** Wheelchair Sizes Below
Attaching Aluminum Base Included
Fits: 24" **Aluminum** Wheelchair

Model	Width	Height
UP1403X-05-CL	22"	20"



All Upholstery is MR Conditional



Specify Color



(22) Burgundy (50) Green (02) Dark Blue



24" HD ALUMINUM DROP HOOKS ⚠️

MODEL # UP1200X-01
Fits 24" Wide **HD Stainless Steel** Wheelchairs
Fits 22" Wide Upholstery Seat



26" HD ALUMINUM DROP HOOKS ⚠️

MODEL # UP1201X-01
Fits 26" Wide **HD Stainless Steel** Wheelchairs
Fits 24" Wide Upholstery Seat



24" AND 26" HD ALUMINUM DROP HOOK SINGLE BOLT ⚠️

MODEL # UP1202X-01
Fits 24" and 26" Wide **HD Stainless Steel** Wheelchairs
Used to Mount Straps to Solid Seat



SEAT, UPHOLSTERY MOUNTING HARDWARE ⚠️

MODEL # UP1220X-01 ⚠️
Fits 18" Flip up Arm, 20", 22", and 24" **Stainless Steel** Wheelchairs
Set Includes:
8 Bolts, 8 Grommets, 8 Nuts



SEAT, UPHOLSTERY MOUNTING HARDWARE ⚠️

MODEL # UP1221X-01
Fits 18" Fixed Footrest **Stainless Steel** Wheelchairs
Set Includes:
8 Bolts, 8 Grommets, 6 Nuts



BACK, UPHOLSTERY MOUNTING HARDWARE ⚠️

MODEL # UP1222X-01
Fits 18", 20", 22" and 24" Standard **Stainless Steel** Wheelchairs
Set Includes:
8 Bolts, 8 Grommets



BACK, UPHOLSTERY MOUNTING HARDWARE ⚠️

MODEL # UP1223X-01
Fits 24" and 26" Wide **HD Stainless Steel** Wheelchairs
Set Includes:
2 Bolts, 2 Grommets



BACK, UPHOLSTERY MOUNTING HARDWARE ⚠️

MODEL # UP1431X-05
Fits 20" **Aluminum** Wheelchairs
Set Includes:
2 Aluminum Bolts, 2 Plastic Washers



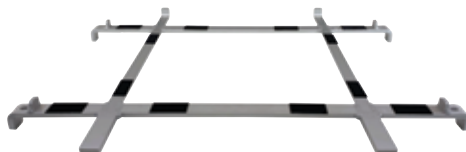
BACK, UPHOLSTERY MOUNTING HARDWARE ⚠️

MODEL # UP1432X-05
Fits 22" and 24" **HD Aluminum** Wheelchairs
Set Includes:
2 Aluminum Bolts, 2 Aluminum Washers, and 2 Plastic Washers



SEAT, UPHOLSTERY MOUNTING HARDWARE ⚠️

MODEL # UP1430X-05
Fits 20" and 22" **Aluminum** Wheelchairs
Set Includes:
10 Aluminum Bolts, 10 Plastic Washers, and 8 Aluminum Nuts



ALUMINUM SEAT FRAME ⚠️

MODEL # UP1224X-01
Fits 24" **HD Aluminum** Wheelchairs
Fits 24" Wide Upholstery Seat



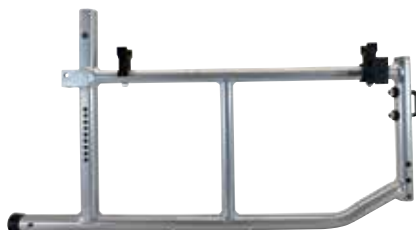
ALUMINUM SEAT FRAME BOLTS ⚠️

MODEL # UP1430X-05
Fits 24" **HD Aluminum** Wheelchairs
Set Includes:
4 Aluminum Bolts, 4 Plastic Washers, and 4 Aluminum Nuts



LOWER MAINFRAME ⚠️

MODEL # FM1002L-05 (Left)
Fits 20" Wide **Aluminum** Wheelchairs
MODEL # FM1002R-05 (Right)
Fits 20" Wide **Aluminum** Wheelchairs



LOWER MAINFRAME ⚠️

MODEL # FM1006L-05 (Left)
Fits 22" Wide **Aluminum** Wheelchairs
MODEL # FM1006R-05 (Right)
Fits 22" Wide **Aluminum** Wheelchairs



LOWER MAINFRAME ⚠️

MODEL # FM1007L-05 (Left)
Fits 24" **HD** Wide **Aluminum** Wheelchairs
MODEL # FM1007R-05 (Right)
Fits 24" **HD** Wide **Aluminum** Wheelchairs

Determine Left or Right When Sitting In Chair



ALUMINUM BACKCANE ⚠️

MODEL # FM1001X-05
Fits 20" Wide **Aluminum** Wheelchairs



ALUMINUM BACKCANE ⚠️

MODEL # FM1002X-05
Fits 22" Wide **Aluminum** Wheelchairs



ALUMINUM BACKCANE ⚠️

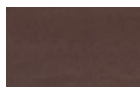
MODEL # FM1006X-05
Fits 24" **HD** Wide **Aluminum** Wheelchairs



HANDLESTRAPS ⚠️

MODEL # UP1212X-01-CL
Fits All **Stainless Steel** Wheelchairs
Upholstery Handle Set

Specify Color



(22) Burgundy



(50) Green



(02) Dark Blue



FRONT SLIDEPOST ⚠️

MODEL # FM2000X-01
Fits 18" Fixed Footrest **Stainless Steel** Wheelchairs

Wheelchair Frame Fitment **Guide**

Wheelchair Model	Slide Post
18" Wide Fixed Footrests, Stainless	FM2000X-01
18" Wide Flip-Up Arms, Stainless	N/A
20" Wide Transport Chair, Stainless	N/A
20" Wide Full Arms, Stainless	N/A
22" Wide Desk Arms, Stainless	N/A
24" Wide Desk Arms, Stainless	N/A

Wheelchair Model	Frame Left	Frame Right	Back Canes
24" Wide HD Desk Arms, Stainless	N/A	N/A	N/A
26" Wide HD Desk Arms, Stainless	N/A	N/A	N/A
20" Wide Desk Arms, Aluminum	FM1002L-05	FM1002R-05	FM1001X-01
22" Wide Desk Arms, Aluminum	FM1006L-05	FM1006R-05	FM1002X-05
24" Wide HD Desk Arms, Aluminum	FM1007L-05	FM1007R-05	FM1016X-05

Determine Left or Right When Sitting In Chair



Wheelchair Single CrossBrace 
Fits 18" Wide Fixed Footrest **Stainless Steel** Wheelchairs

Model	Description
FM2001X-01	18" Wide Fixed Footrest Cross Brace

Wheelchair Double CrossBrace 
 FM2002X-01 | Fits 18" Wide **Stainless Steel** Wheelchairs With Flip Up Arms
 FM2003X-01 | Fits 20" Wide **Stainless Steel** Wheelchairs & Transport Chairs
 FM2004X-01 | Fits 22" Wide **Stainless Steel** Wheelchairs
 FM2005X-01 | Fits 24" Wide Standard **Stainless Steel** Wheelchairs
 FM2006X-01 | Fits 24" Wide **HD Stainless Steel** Wheelchairs
 FM2007X-01 | Fits 26" Wide **HD Stainless Steel** Wheelchairs

Model	Description
FM2002X-01	18" Wide Standard Cross Brace
FM2003X-01	20" Wide Standard Cross Brace
FM2004X-01	22" Wide Standard Crossbrace
FM2005X-01	24" Wide Standard Crossbrace
FM2006X-01	24" Wide HD Crossbrace
FM2007X-01	26" Wide HD Crossbrace

Wheelchair Frame Bolt For CrossBrace 

MODEL # CA3042X-01
Fits all **Stainless Steel** Wheelchairs
Set of 4

Wheelchair Double CrossBrace 
 FM1011X-05 | Fits 20" Wide **Aluminum** Wheelchairs
 FM1012X-05 | Fits 22" Wide **Aluminum** Wheelchairs

Model	Description
FM1011X-05	20" Aluminum Cross Brace
FM1012X-05	22" Aluminum Cross Brace
HW9219X-01	Cross Brace Hardware Only, 2 Sets, Bolt, Nut, Plastic Washers

Wheelchair CrossBrace 

MODEL # FM1004X-05
Fits 24" Wide **HD Aluminum** Wheelchairs
Solds as Each, Need 4 Per Chair
Includes Hardware

Wheelchair Cross Brace Fitment Guide

Wheelchair Model	Crossbrace
18" Wide Fixed Footrests, Stainless	FM2001X-01
18" Wide Flip-Up Arms, Stainless	FM2002X-01
20" Wide Transport Chair, Stainless	FM2003X-01
20" Wide Full Arms, Stainless	FM2003X-01
22" Wide Desk Arms, Stainless	FM2004X-01
24" Wide Desk Arms, Stainless	FM2005X-01

Wheelchair Model	Crossbrace
24" Wide HD Desk Arms, Stainless	FM2006X-01
26" Wide HD Desk Arms, Stainless	FM2007X-01
20" Wide Desk Arms, Aluminum	FM1011X-05
22" Wide Desk Arms, Aluminum	FM1012X-05
24" Wide HD Desk Arms, Aluminum	FM1004X-05

PIVOTLINK 
MODEL # CA8018X-01
 Fits 18" Wide **Stainless Steel** Wheelchairs

PIVOTLINK 
MODEL # CA8019X-01
 Fits 20" Wide **Stainless Steel** Wheelchairs and Transport Chairs

PIVOTLINK 
MODEL # CA8020X-01
 Fits 22" Wide **Stainless Steel** Wheelchairs

PIVOTLINK 
MODEL # CA8021X-01
 Fits 24" Wide **Stainless Steel** Wheelchairs

PIVOTLINK 
MODEL # CA8023X-01
 Fits 24" Wide **HD Stainless Steel** Wheelchairs

PIVOTLINK 
MODEL # CA8022X-01
 Fits 26" Wide **HD Stainless Steel** Wheelchairs

PIVOTLINK 
MODEL # FM1014X-05
 Fits 20" Wide **Aluminum** Wheelchairs

PIVOTLINK 
MODEL # FM1015X-05
 Fits 22" Wide **Aluminum** Wheelchairs



Wheelchair Pivot Link Fitment Guide

Wheelchair Model	Pivot Link
18" Wide Fixed Footrests, Stainless	N/A
18" Wide Flip-Up Arms, Stainless	CA8018X-01
20" Wide Transport Chair, Stainless	CA8019X-01
20" Wide Full Arms, Stainless	CA8019X-01
22" Wide Desk Arms, Stainless	CA8020X-01
24" Wide Desk Arms, Stainless	CA8021X-01

Wheelchair Model	Wheel
24" Wide HD Desk Arms, Stainless	CA8023X-01
26" Wide HD Desk Arms, Stainless	CA8022X-01
20" Wide Desk Arms, Aluminum	FM1014X-05
22" Wide Desk Arms, Aluminum	FM1015X-05
24" Wide HD Desk Arms, Aluminum	N/A



STAINLESS STEEL HEEL LOOP 

MODEL # AC1506X-01
Fits 18", 20", 22", and 24" Wide **Stainless Steel** Wheelchairs
Hardware Included



STAINLESS STEEL HEEL LOOP 

MODEL # AC1518L-01 (Left)
Fits 24" & 26" Wide **HD Stainless Steel** Wheelchairs
Hardware Included

MODEL # AC1518R-01 (Right)
Fits 24" & 26" Wide **HD Stainless Steel** Wheelchairs
Hardware Included



ALUMINUM HEEL LOOP 

MODEL # AC1601L-05 (Left)
Fits 20" and 22" Wide **Aluminum** Wheelchairs
Hardware Included

MODEL # AC1601R-05 (Right)
Fits 20" and 22" Wide **Aluminum** Wheelchairs
Hardware Included



ALUMINUM HEEL LOOP 

MODEL # AC1602L-05 (Left)
Fits 24" Wide **HD Aluminum** Wheelchairs
Hardware Included

MODEL # AC1602R-05 (Right)
Fits 24" Wide **HD Aluminum** Wheelchairs
Hardware Included



Replacement Safety Belt 
Fits 18", 20", 22", 24", and 26" Wide **Stainless Steel** Wheelchairs

Model	Fits
AC1514X-01	18" Wheelchairs
AC1515X-01	20" Wheelchairs
AC1516X-01	22" Wheelchairs
AC1511X-01	24" Wheelchairs 26" Wheelchairs

Wheelchair Heel Loop Fitment Guide

Wheelchair Model	Heel Loop Left	Heel Loop Left
18" Wide Fixed Footrests, Stainless	AC1506X-01	AC1506X-01
18" Wide Flip-Up Arms, Stainless	AC1506X-01	AC1506X-01
20" Wide Transport Chair, Stainless	AC1506X-01	AC1506X-01
20" Wide Full Arms, Stainless	AC1506X-01	AC1506X-01
22" Wide Desk Arms, Stainless	AC1506X-01	AC1506X-01
24" Wide Desk Arms, Stainless	AC1506X-01	AC1506X-01

Wheelchair Model	Heel Loop Left	Heel Loop Right
24" Wide HD Desk Arms, Stainless	AC1518L-01	AC1518R-01
26" Wide HD Desk Arms, Stainless	AC1518L-01	AC1518R-01
20" Wide Desk Arms, Aluminum	AC1601L-05	AC1601R-05
22" Wide Desk Arms, Aluminum	AC1601L-05	AC1601R-05
24" Wide HD Desk Arms, Aluminum	AC1602L-05	AC1605R-05



A Anti-Tippers

B Custom Stenciling



Custom Stenciling, add your company name and/or other info on back of wheelchair



H



E



D



Padlock & Chain



C Anti-Theft Bars

Product may differ from picture shown



F



G Anti-Theft Clamp



Fig **Model** **Des.** **Description**

A AC1507X-01  Anti-Tippers, For **Stainless Steel** Wheelchairs

B ACM1503-01  Custom Stenciling (Company Name, etc.)

C AC1520X-01  Anti-Theft Bar for 18" Wheelchairs

AC1521X-01  Anti-Theft Bar for 20" Wheelchairs

AC1522X-01  Anti-Theft Bar for 22" Wheelchairs

AC1523X-01  Anti-Theft Bar for 24" Wheelchairs

D PLM1005-01  MRI Non-Magnetic 15ft Yellow Plastic Chain with Green Padlock

E PLM1006-01  MRI Non-Magnetic 15ft Yellow Plastic Chain with Red Padlock

F CA8011X-01  MRI Non-Magnetic Locking Kit for Foot/Legrest

G CA8010X-01  Anti-Theft Clamp for 24" and 26" Wide Heavy Duty Wheelchairs, Set of 2

H TBA  New Wheelchair Stenciling (once old stock runs out)

For **Stainless Steel** Wheelchairs

I.V. Poles & Oxygen Holders



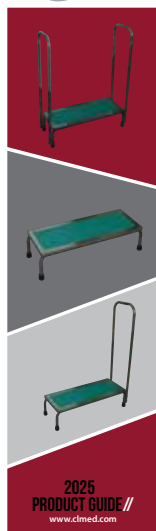
MRI Stainless Steel I.V. Poles & Oxygen Holders ⚠️
Fits all **Stainless Steel** Wheelchairs

Model	Description
ACM1500-01	Stainless I.V. Pole
ACM1501-01	Stainless I.V. Pole & O2 Holder
ACM1502-01	Stainless O2 Tank Holder

MRI Aluminum I.V. Poles & Oxygen Holders ⚠️
Fits all **Aluminum** Wheelchairs

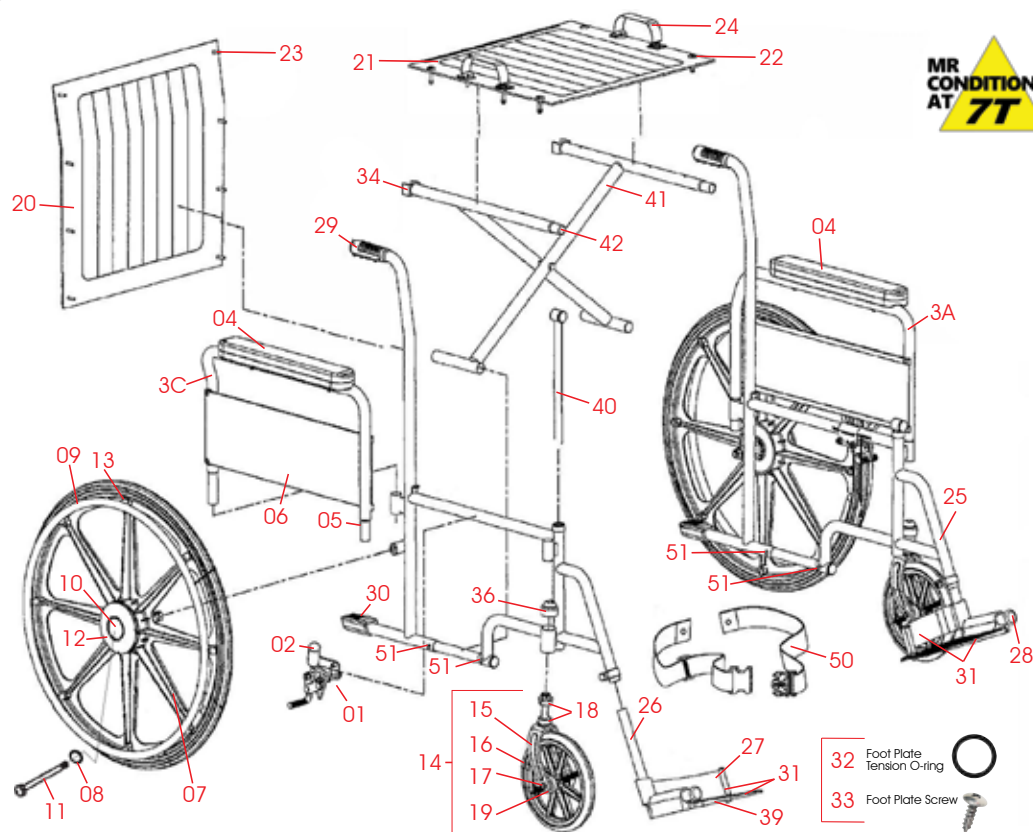
Model	Description
ACM1600-01	Aluminum I.V. Pole
ACM1601-01	Alum. I.V. and O2 Holder
ACM1602-01	Alum. O2 Tank Holder

View Our Creative Living Medical Catalog!
Call to request your copy today or e-mail your request to cs@clmed.com



2025
PRODUCT GUIDE // www.clmed.com

MRI DOCTOR STOOL PG.16
MRI FOLDING WALKER PG.14
SCAN QR CODE OR VISIT WWW.CLMED.COM

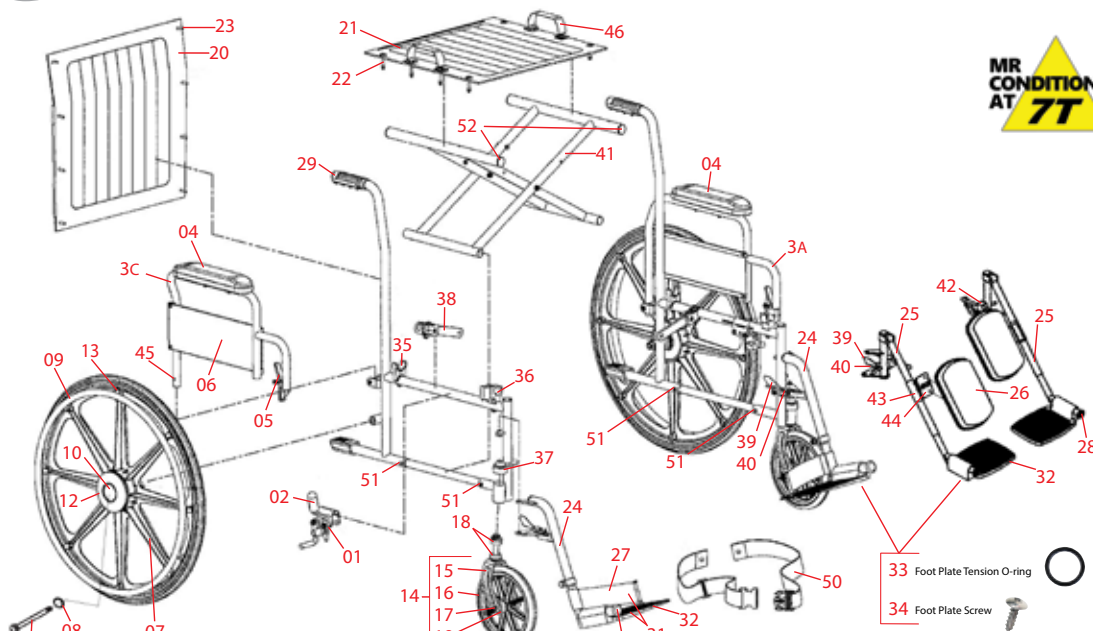


**18" Wide
Stainless Steel**
WCM1825FF27
WCM1825FF50
WCM1825FF02
WCM1825FF02

Fig	Model	Description	Page
01	BR8006L-01 BR8006R-01	Brake Complete, Left * Brake Complete, Right *	8 8
02	BR8007X-01	Rubber Tip for Brake	11
3C	AR2605L-01-CL	Detachable Left Side Full Length Arm, Complete with skirtguard, armrest & button lock, Color * **	11
3B	AR2605R-01-CL	Detachable Right Side Full Length Arm, Complete with skirtguard, armrest & button lock, Color * **	12
04	AR1204X-01-CL	Full Length Armrest, Color **	12
05	AR9011X-01	Button Lock	12
06	AR3049X-01	Skirtguard 19 3/8" x 6"	12
07	WH1224X-01	24" Wheel Complete with 7/16" Bearings, Handrim & Hub Cap	5
08	HW3216X-01	Washer, for Rear Axle	7
09	WH6029X-01	Stainless Steel Handrim	7
10	BE1014X-01	7/16" Bearing for Rear Wheel	3
11	WH6109X-01	Axle and Nut for Rear Wheel	8
12	CA3024X-01	Hub Cap	9
13	HW9213X-01	Handrim Screws & Spacers (set of 8)	7
14	WH3106X-01	8" Fork Assembly (fork, 8" wheel, bearings & axle)	6
15	WH9101X-01	Fork with Nut	6
16	WH3107X-01	8" Wheel with Bearings	5
17	HW6108X-01	Axle and Nut for Front Wheel	8
18	BE2019X-01	Bearing for Fork Stem	4
19	BE1012X-01	Bearing for Front Wheel	4

Fig	Model	Description	Page
20	UP1310-01-CL	Back Upholstery w/Hardware **	17
21	UP0310X-01-CL	Seat Upholstery w/Hardware **	17
22	UP1221X-01	Seat Attaching Hardware Set	19
23	UP1222X-01	Back Attaching Hardware Set	19
24	UP1212X-01-CL	Handle Closing Straps **	20
25	FR8808L-01	Foot Plate & Extension Tube, Clamping, Left, with Heel Loop *	16
26	FR8808R-01	Foot Plate & Extension Tube, Clamping, Right, with Heel Loop *	16
27	AC1506X-01	Heel Loop with Hardware	23
28	CA8016X-01	Bumper	16
29	CA8007X-01	Handle Grip	9
30	CA8006X-01	Kick Tube Cap	9
31	FR3109L-01	Foot Plate w/Heel Loop, Left *	16
31	FR3109R-01	Foot Plate w/Heel Loop, Right *	16
32	LR7012X-01	Tension "O" Ring for Foot Plate	16
33	LR7013X-01	Screw for Foot Plate	16
34	CA3029X-01	Rail Guide (white nylon)	10
36	CA3028X-01	Journal Cap for Fork Stem	9
39	FR3108X-01	Foot Plate Only	16
40	FM2000X-01	Front Slide Tube, Pair	20
41	FM2001X-01	Cross Brace Set	21
42	CA3031X-01	Black Plastic Plug	9
50	AC1514X-01	Safety Belt, for 18" Wide Chairs	23
51	CA3042X-01	Cross Brace Fame Bolt & Nut	21

* Determine Left or Right when sitting in the wheelchair
** Upholstery Colors: 22-Burgundy, 50-Green, 02-Dk. Blue



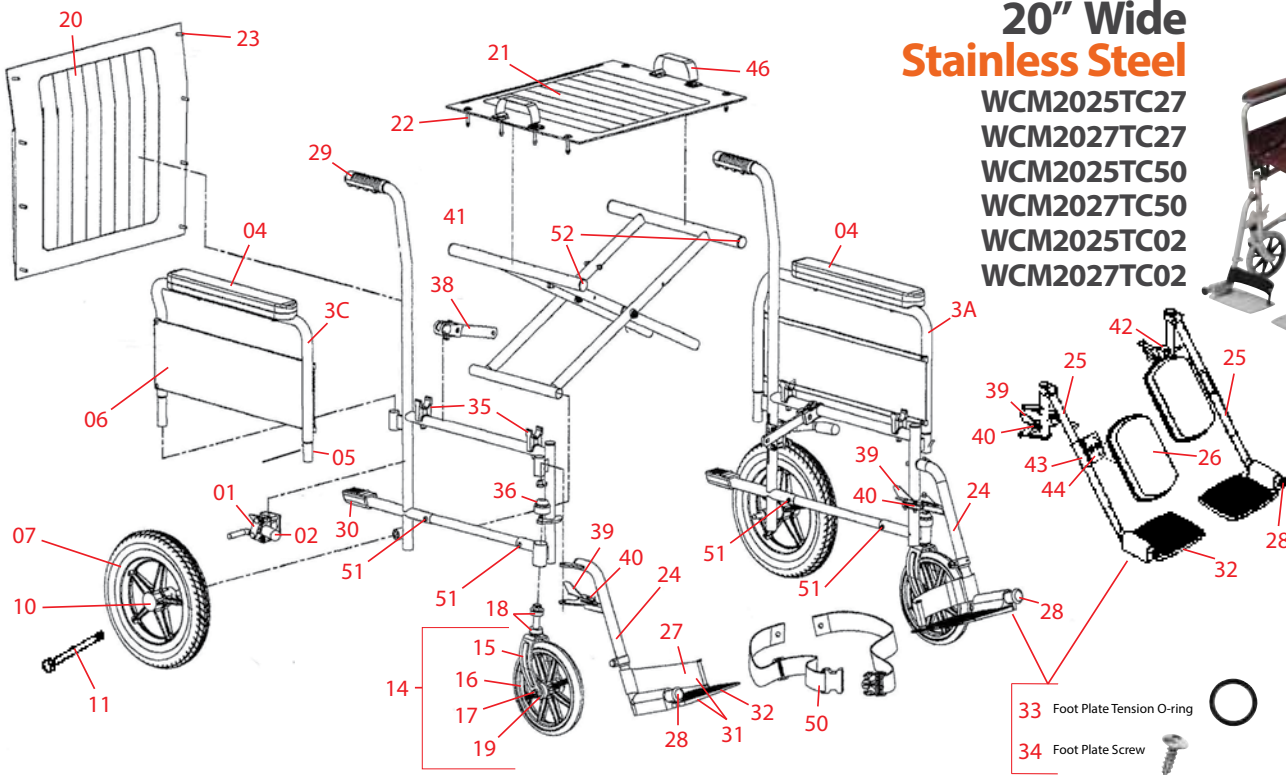
18" Wide Stainless Steel

- WCM1827SD27
- WCM1877SD27
- WCM1827SD50
- WCM1877SD50
- WCM1827SD02
- WCM1877SD02

Fig	Model	Description	Page
01	BR8006L-01 BR8006R-01	Brake Complete, Left * Brake Complete, Right *	8 8
02	BR8007X-01	Rubber Tip for Brake	9
3A	AR2604L-01-CL	Flip Back Left Side Desk Length Arm, Complete with skirtguard, armrest & button lock, Color * **	11
3C	AR2604R-01-CL	Flip Back Right Side Desk Length Arm, Complete with skirtguard, armrest & button lock, Color * **	11
04	AR2204X-01-CL	Desk Length Armrest, Color **	12
05	CA8008X-01	Release Lever	12
06	AR3052X-01	Skirtguard 13 1/4" x 4 3/4"	12
07	WH1224X-01	24" Wheel Complete with 7/16" Bearings, Handrim & Hub Cap	5
08	HW9216X-01	Washer, for Rear Axle	7
09	WH6029X-01	Stainless Steel Handrim	7
10	BE1014X-01	7/16" Bearing for Rear Wheel	3
11	WH6109X-01	Axle and Nut for Rear Wheel	8
12	CA3024X-01	Hub Cap	9
13	HW9213X-01	Handrim Screws & Spacers (set of 8)	7
14	WH3106X-01	8" Fork Assembly (fork, 8" wheel, bearings & axle)	6
15	WH9109X-01	Fork with Nut	6
16	WH3107X-01	8" Wheel with Bearings	5
17	HW6108X-01	Axle and Nut for Front Wheel	8
18	BE2019X-01	Bearing for Fork Stem	4
19	BE1012X-01	Bearing for Front Wheel	4
20	UP1310X-01-CL	Back Upholstery w/Hardware **	17
21	UP0310X-01-CL	Seat Upholstery w/Hardware **	17
22	UP1220X-01	Seat Attaching Hardware Set	19
23	UP1222X-01	Back Attaching Hardware Set	19

Fig	Model	Description	Page
24	FR3104L-01 FR3104R-01	Footrest Complete Left Side * Footrest Complete Right Side *	13 13
25	LR3104L-01-CL LR3104R-01-CL	Legrest Complete Left, Color * ** Legrest Complete Right, Color * **	14 14
26	LR3108-01-22	Calf Pad, Color **	14
27	AC1506X-01	Heel Loop with Hardware	23
28	CA8016X-01	Bumper	9,16
29	CA8007X-01	Handle Grip	9
30	CA8006X-01	Kick Tube Cap	9
31	FR3109L-01 FR3109R-01	Foot Plate w/Heel Loop, Left * Foot Plate w/Heel Loop, Right *	16 16
32	FR3108X-01	Footplate Only for Footrest & Legrest Universal Left or Right	16
33	LR7012X-01	Tension "O" Ring for Foot Plate	16
34	LR7013X-01	Screw for Foot Plate	16
35	CA3026X-01	Seat Guide Rear (black nylon)	10
36	CA3027L-01 CA3027R-01	Left Seat Guide & Arm Socket * Right Seat Guide & Arm Socket *	10 10
37	CA3028X-01	Journal Cap for Fork Stem	9
38	CA8018X-01	Pivot Link with Bracket and Hardware	22
39	CA3027L-01 CA3027R-01	Lock Lever Complete, Left * Lock Lever Complete, Right *	15 15
40	LR7001L-01 LR7001R-01	Spring Only for Lock Lever, Left * Spring Only for Lock Lever, Right *	15 15
41	FM2002X-01	Cross Brace Set	21
42	LR7020L-01 LR7020R-01	Adjustment Rod Complete, Left * Adjustment Rod Complete, Right *	15 15
43	LR7003X-01	Calf Pad Bracket	15
44	LR7002X-01	Calf Pad Hinge Plate	15
45	AR9012X-01	Arm Hinge Repair Kit, Nut, Bolt, bushing, & Spacer	12
46	UP1212X-01-CL	Handle Closing Straps **	20
50	AC1514X-01	Safety Belt, for 18" Wide Chairs	23
51	CA3042X-01	Cross Brace Frame Bolt & Nut	21
52	FM3001X-01	Cross Brace Plug, set of 4	9

* Determine Left or Right when sitting in the wheelchair
 ** Upholstery Colors: 22-Burgundy, 50-Green, 02-Dk. Blue



20" Wide Stainless Steel

- WCM2025TC27
- WCM2027TC27
- WCM2025TC50
- WCM2027TC50
- WCM2025TC02
- WCM2027TC02

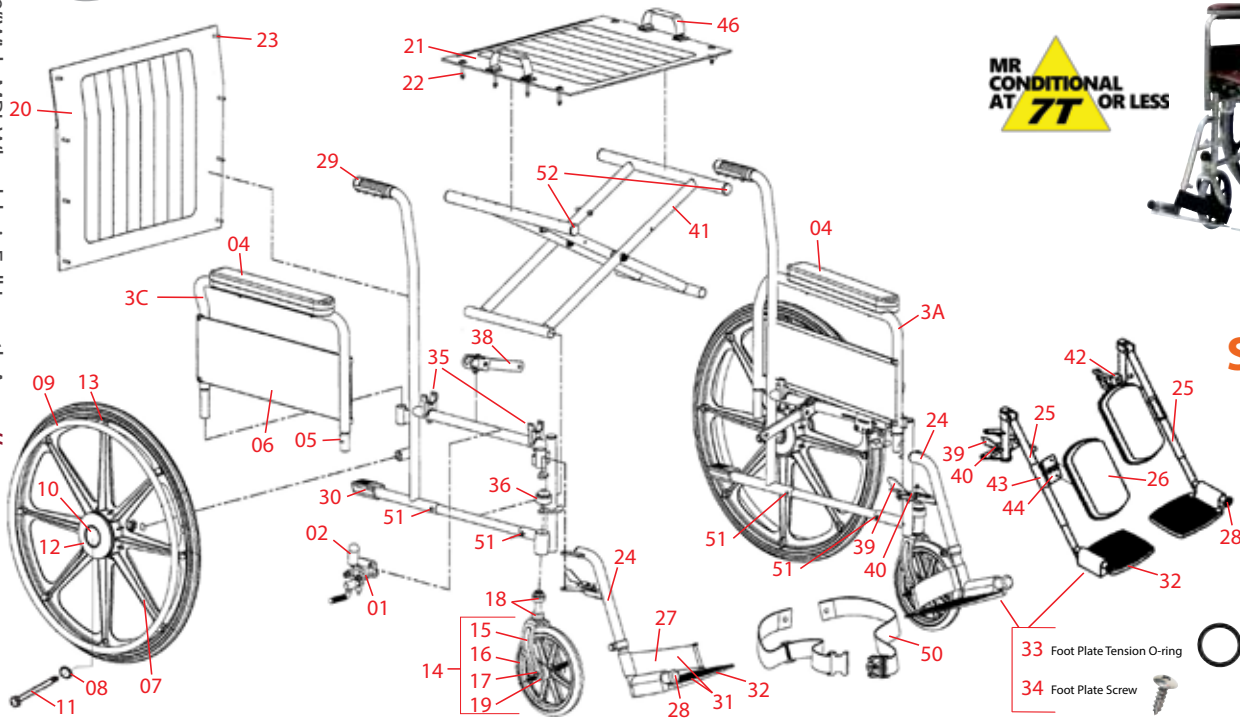


20" Wide MRI Transport Wheelchair //

Fig	Model	Description	Page
01	BR8006L-01	Brake Complete, Left *	8
	BR8006R-01	Brake Complete, Right *	8
02	BR8006X-01	Rubber Tip for Brake	9
3C	AR2605L-01-CL	Detachable Left Side Full Length Arm, Complete with skirtguard, armrest & button lock, Color * **	11
	AR2605R-01-CL	Detachable Right Side Full Length Arm, Complete with skirtguard, armrest & button lock, Color * **	11
04	AR1204X-01-CL	Full Length Armrest, Color **	12
05	AR9011X-01	Button Lock	12
06	AR3049X-01	Skirtguard 19 3/8" x 6"	12
07	WH1239X-01	12 1/2" Wheel & 7/16" Bearings	5
10	BE1018X-01	7/16" Bearing for Rear Wheel	3
11	WH1240X-01	Axle and Nut for Rear Wheel	8
14	WH3106X-01	8" Fork Assembly (fork, 8" wheel, bearings & axle)	6
15	WH3109X-01	Fork with Nut	6
16	WH3107X-01	8" Wheel with Bearings	5
17	HW3108X-01	Axle and Nut for Front Wheel	8
18	BE2019X-01	Bearing for Fork Stem	4
19	BE1012X-01	Bearing for Front Wheel	4
20	UP1315X-01-CL	Back Upholstery w/Hardware **	17
21	UP0710-01-CL	Seat Upholstery w/Hardware **	17
22	UP1220X-01	Seat Attaching Hardware Set	19
23	UP1222X-01	Back Attaching Hardware Set	19

Fig	Model	Description	Page
24	FR3104L-01	Footrest Complete, Left Side *	13
	FR3104R-01	Footrest Complete, Right Side *	13
25	LR3104L-01-CL	Legrest Complete Left, Color * **	14
	LR3104R-01-CL	Legrest Complete Right, Color * **	14
26	LR3108X-01-CL	Calf Pad, Color **	14
27	AC1506X-01	Heel Loop with Hardware	23
28	CA8016X-01	Bumper	9,16
29	CA8007X-01	Handle Grip	9
30	CA8006X-01	Kick Tube Cap	9
31	FR3109L-01	Foot Plate w/Heel Loop, Left *	16
	FR3109R-01	Foot Plate w/Heel Loop, Right *	16
32	FR3108X-01	Foot Plate Only	16
33	LR7012X-01	Tension "O" Ring for Foot Plate	16
34	LR7013X-01	Screw for Foot Plate	16
35	CA3026X-01	Seat Guide	10
36	CA3028X-01	Journal Cap for Fork Stem	9
38	CA8019X-01	Pivot Link and Bracket & Hdw	22
39	LR7000L-01	Lock Lever Release Kit, Left *	15
	LR7000R-01	Lock Lever Release Kit, Right *	15
40	LR7001L-01	Spring Only for Lock Lever, Left *	15
	LR7001R-01	Spring Only for Lock Lever, Right *	15
41	FM2003X-01	Cross Brace Set	21
42	LR7020L-01	Adjustment Rod Complete, Left*	15
	LR7020R-01	Adjustment Rod Complete, Right*	15
43	LR7003X-01	Calf Pad Bracket	15
44	LR7002X-01	Calf Pad Hinge Plate	15
46	UP1212X-01-CL	Handle Closing Straps **	20
50	AC1514X-01	Safety Belt, for 20" Wide Chairs	23
51	CA3042X-01	Cross Brace Fame Bolt & Nut	21
52	FM3001X-01	Cross Brace Plug, set of 4	9

* Determine Left or Right when sitting in the wheelchair
 ** Upholstery Colors: 22-Burgundy, 50-Green, 02-Dk. Blue



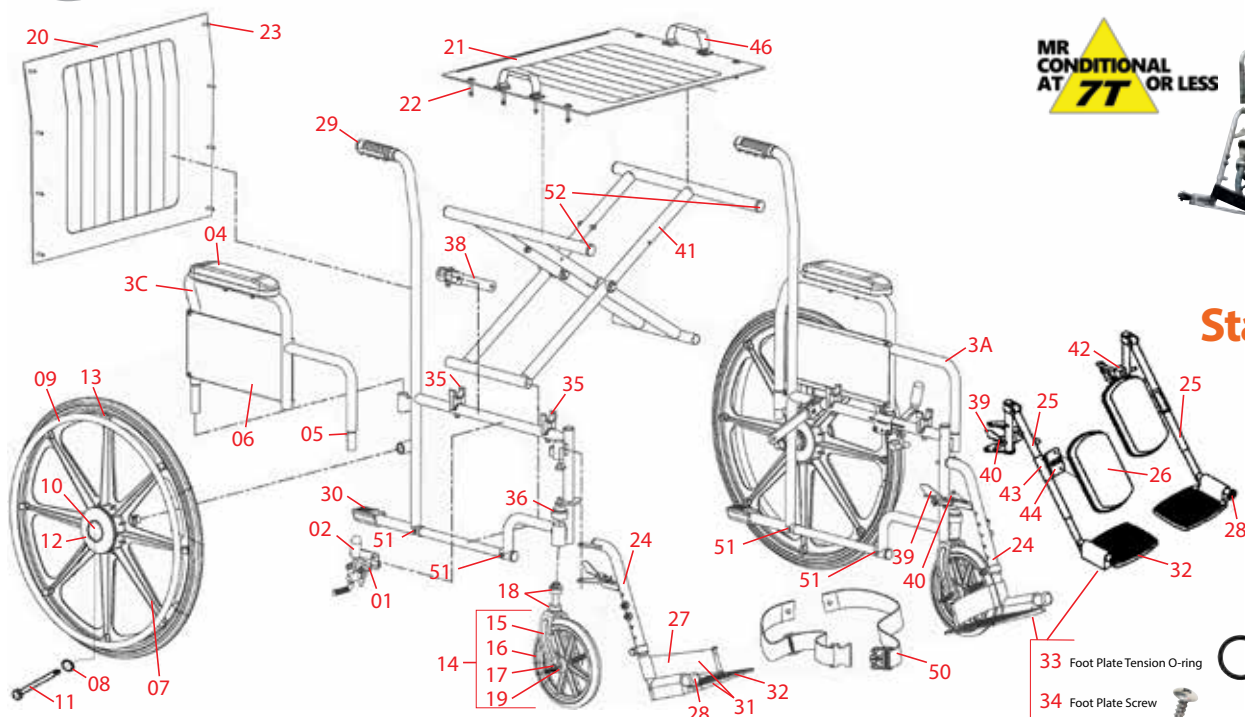
**20" Wide
Stainless Steel**

- WCM2025SD27
- WCM2075SD27
- WCM2025SD50
- WCM2075SD50
- WCM2025SD02
- WCM2075SD02

Fig	Model	Description	Page
01	BR8006L-01 BR8006R-01	Brake Complete, Left * Brake Complete, Right *	8 8
02	BR8007X-01	Rubber Tip for Brake	2
3A	AR2605L-01-CL	Detach Left Side Full Length Arm, Complete with skirtguard, armrest & button lock, Color * **	11
3C	AR2605R-01-CL	Detach Right Side Full Length Arm, Complete with skirtguard, armrest & button lock, Color * **	11
04	AR1204X-01-CL	Full Length Armrest, Color **	12
05	AR9011X-01	Button Lock	12
06	AR3049X-01	Skirtguard 19 3/8" x 6"	12
07	WH1224X-01	24" Wheel Complete with 7/16" Bearings, Handrim & Hub Cap	5
08	HW9216X-01	Washer, for Rear Axle	7
09	WH6029X-01	Stainless Steel Handrim	7
10	BE1014X-01	7/16" Bearing for Rear Wheel	3
11	WH6109X-01	Axle and Nut for Rear Wheel	8
12	CA3024X-01	Hub Cap	7
13	HW9213X-01	Handrim Screws & Spacers (set of 8)	7
14	WH3106X-01	8" Fork Assembly (fork, 8" wheel, bearings & axle)	6
15	WH9109X-01	Fork with Nut	6
16	WH3107X-01	8" Wheel with Bearings	5
17	HW6108X-01	Axle and Nut for Front Wheel	8
18	BE2019X-01	Bearing for Fork Stem	4
19	BE1012X-01	Bearing for Front Wheel	4
20	UP1315X-01-CL	Back Upholstery w/Hardware **	17
21	UP0710X-01-CL	Seat Upholstery w/Hardware **	17

Fig	Model	Description	Page
22	UP1220X-01	Seat Attaching Hardware Set	19
23	UP1222X-01	Back Attaching Hardware Set	19
24	FR3104L-01 FR3104R-01	Footrest Complete Left Side * Footrest Complete Right Side *	13 13
25	LR3104L-01-CL LR3104R-01-CL	Legrest Complete Left, Color * ** Legrest Complete Right, Color * **	14 14
26	LR3108X-01-CL	Calf Pad, Color **	14
27	AC1506X-01	Heel Loop with Hardware	23
28	CA8016X-01	Bumper	9,16
29	CA8007X-01	Handle Grip	9
30	CA8006X-01	Kick Tube Cap	9
31	FR3109L-01 FR3109R-01	Foot Plate w/Heel Loop, Left * Foot Plate w/Heel Loop, Right *	16 16
32	FR3108X-01	Footplate Only for Footrest & Legrest Universal Left or Right	16
33	LR7012X-01	Tension "O" Ring for Foot Plate	16
34	LR7013X-01	Screw for Foot Plate	16
35	CA3026X-01	Seat Guide (black nylon)	10
36	CA3028X-01	Journal Cap for Fork Stem	9
38	CA8019X-01	Pivot Link with Bracket & Hdw	22
39	LR7000L-01 LR7000R-01	Lock Lever Complete, Left * Lock Lever Complete, Right *	15 15
40	LR7001L-01 LR7001R-01	Spring Only for Lock Lever, Left * Spring Only for Lock Lever, Right *	15 15
41	FM2003X-01	Cross Brace Set	21
42	LR7020L-01 LR7020R-01	Adjustment Rod Complete, Left * Adjustment Rod Complete, Right *	15 15
43	LR7003X-01	Calf Pad Bracket	15
44	LR7002X-01	Calf Pad Hinge Plate	15
46	UP1212X-01-CL	Handle Closing Straps **	20
50	AC1515X-01	Safety Belt, for 20" Wide Chairs	23
51	CA3042X-01	Cross Brace Fame Bolt & Nut	21
52	FM3001X-01	Cross Brace Plug, set of 4	9

* Determine Left or Right when sitting in the wheelchair
** Upholstery Colors: 22-Burgundy, 50-Green, 02-Dk. Blue



22" Wide Stainless Steel

- WCM2226SD27
- WCM2276SD27
- WCM2226SD50
- WCM2276SD50
- WCM2226SD02
- WCM2276SD02

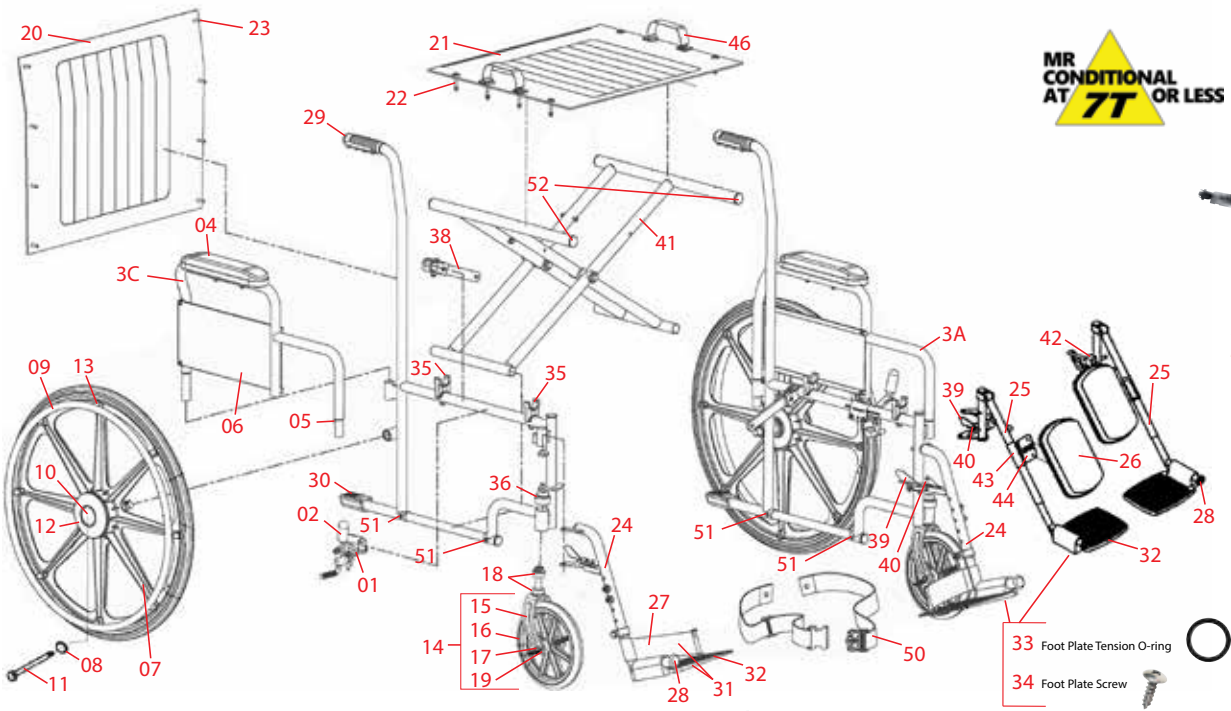
22" Wide MRI Wheelchair Desk Length Arms //

Fig	Model	Description	Page
01	BR8006L-01 BR8006R-01	Brake Complete, Left * Brake Complete, Right *	8 8
02	BR8007X-01	Rubber Tip for Brake	2
3A	AR2607L-01-CL	Detach Left Side Desk Length Arm, Complete with skirtguard, armrest & button lock, Color * **	11
3C	AR2607R-01-CL	Detach Right Side Desk Length Arm, Complete with skirtguard, armrest & button lock, Color * **	11
04	AR2204X-01-CL	Desk Length Armrest, Color **	12
05	AR9011X-01	Button Lock	12
06	AR3048X-01	Skirtguard 13 1/4" x 6"	12
07	WH1225X-01	24" Wheel Complete with 5/8" Bearings, Handrim & Hub Cap	5
08	HW9217X-01	Washer, for Rear Axle	7
09	WH6029X-01	Stainless Steel Handrim	7
10	BE1013X-01	5/8" Bearing for Rear Wheel	3
11	WH6110X-01	Axle and Nut for Rear Wheel	8
12	CA3024X-01	Hub Cap	7
13	HW9213X-01	Handrim Screws & Spacers (set of 8)	7
14	WH3106X-01	8" Fork Assembly (fork, 8" wheel, bearings & axle)	6
15	WH9109X-01	Fork with Nut	6
16	WH3107X-01	8" Wheel with Bearings	5
17	HW3108X-01	Axle and Nut for Front Wheel	4
18	BE2019X-01	Bearing for Fork Stem	4
19	BE1012X-01	Bearing for Front Wheel	4
20	UP1312X-01-CL	Back Upholstery w/Hardware **	17
21	UP0410X-01-CL	Seat Upholstery w/Hardware **	17

Fig	Model	Description	Page
22	UP1220X-01	Seat Attaching Hardware Set	19
23	UP1222X-01	Back Attaching Hardware Set	19
24	FR3105L-01 FR3105R-01	Footrest Complete Left Side * Footrest Complete Right Side *	13 13
25	LR3104L-01-CL LR3104R-01-CL	Legrest Complete Left, Color * ** Legrest Complete Right, Color * **	14 14
26	LR3108X-01-CL	Calf Pad, Color **	14
27	AC1506X-01	Heel Loop with Hardware	23
28	CA8016X-01	Bumper	9,16
29	CA8007X-01	Handle Grip	9
30	CA8006X-01	Kick Tube Cap	9
31	FR3109L-01 FR3109R-01	Foot Plate w/Heel Loop, Left * Foot Plate w/Heel Loop, Right *	16 16
32	FR3108X-01	Footplate Only for Footrest & Legrest Universal Left or Right	16
33	LR7012X-01	Tension "O" Ring for Foot Plate	16
34	LR7013X-01	Screw for Foot Plate	16
35	CA3026X-01	Seat Guide (black nylon)	10
36	CA3028X-01	Journal Cap for Fork Stem	9
38	CA8020X-01	Pivot Link with Bracket & Hdw	22
39	LR7000L-01 LR7000R-01	Lock Lever Complete, Left * Lock Lever Complete, Right *	15 15
40	LR7001L-01 LR7001R-01	Spring Only for Lock Lever, Left * Spring Only for Lock Lever, Right *	15 15
41	FM2004X-01	Cross Brace Set	21
42	LR7020L-01 LR7020R-01	Adjustment Rod Complete, Left * Adjustment Rod Complete, Right *	15 15
43	LR7003X-01	Calf Pad Bracket	15
44	LR7002X-01	Calf Pad Hinge Plate	15
46	UP1212X-01-CL	Handle Closing Straps **	20
50	AC1514X-01	Safety Belt, for 22" Wide Chairs	23
51	CA3042X-01	Cross Brace Fame Bolt & Nut	21
52	FM3001X-01	Cross Brace Plug, set of 4	9

* Determine Left or Right when sitting in the wheelchair
 ** Upholstery Colors: 22-Burgundy, 50-Green, 02-Dk. Blue

24" Wide MRI Wheelchair Desk Length Arms //



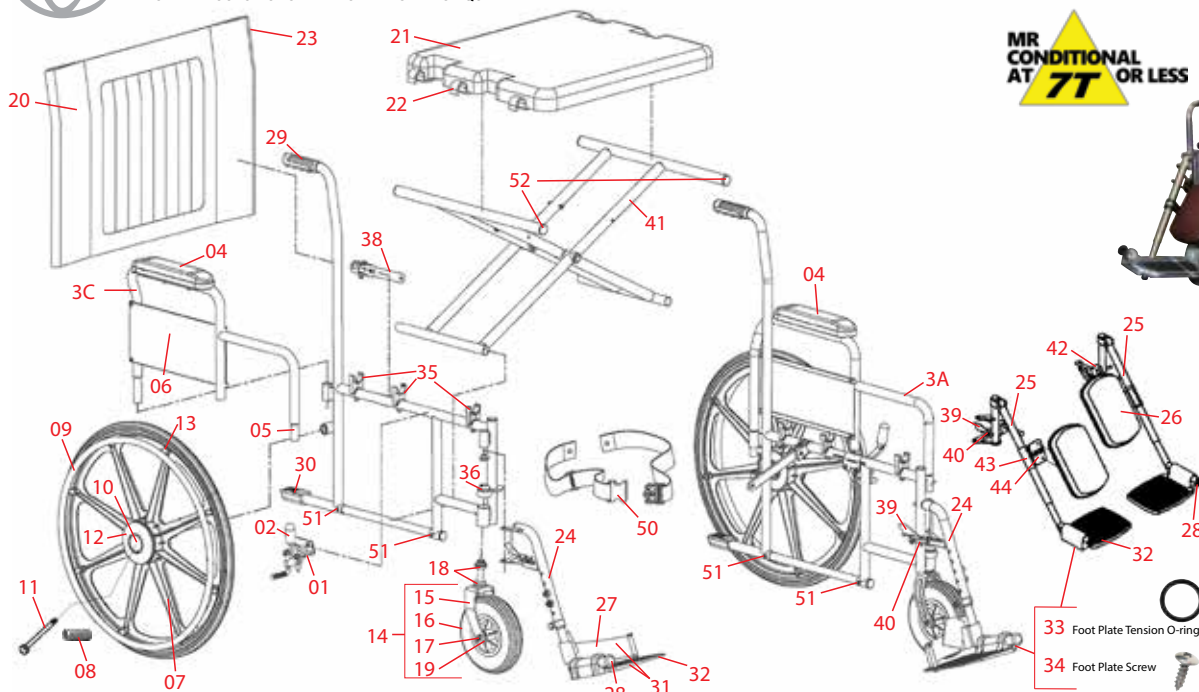
**24" Wide
Stainless Steel**
WCM2424SD27
WCM2474SD27
WCM2424SD50
WCM2474SD50
WCM2424SD02
WCM2474SD02



Fig	Model	Description	Page
01	BR8006L-01 BR8006R-01	Brake Complete, Left * Brake Complete, Right *	8
02	BR8007X-01	Rubber Tip for Brake	2
3A	AR2607L-01-CL	Detach Left Side Desk Length Arm, Complete with skirtguard, armrest & button lock, Color * **	11
3C	AR2607R-01-CL	Detach Right Side Desk Length Arm, Complete with skirtguard, armrest & button lock, Color * **	11
04	AR2204X-01-CL	Desk Length Armrest, Color **	12
05	AR9011X-01	Button Lock	12
06	AR3048X-01	Skirtguard 13 1/4" x 6"	12
07	WH1225X-01	24" Wheel Complete with 5/8" Bearings, Handrim & Hub Cap	5
08	HW9217X-01	Washer, for Rear Axle	7
09	WH6029X-01	Stainless Steel Handrim	7
10	BE1013X-01	5/8" Bearing for Rear Wheel	3
11	WH6110X-01	Axle and Nut for Rear Wheel	8
12	CA3024X-01	Hub Cap	7
13	HW9213X-01	Handrim Screws & Spacers (set of 8)	7
14	WH3106X-01	8" Fork Assembly (fork, 8" wheel, bearings & axle)	6
15	WH9109X-01	Fork with Nut	6
16	WH3107X-01	8" Wheel with Bearings	5
17	HW6108X-01	Axle and Nut for Front Wheel	8
18	BE2019X-01	Bearing for Fork Stem	4
19	BE1012-01	Bearing for Front Wheel	4
20	UP1314X-01-CL	Back Upholstery w/Hardware **	17
21	UP0610X-01-CL	Seat Upholstery w/Hardware **	17

Fig	Model	Description	Page
22	UP1220X-01	Seat Attaching Hardware Set	19
23	UP1222X-01	Back Attaching Hardware Set	19
24	FR3105L-01 FR3105R-01	Footrest Complete Left Side * Footrest Complete Right Side *	13
25	LR3104L-01-CL LR3104R-01-CL	Legrest Complete Left, Color * ** Legrest Complete Right, Color * **	14
26	LR3108X-01-CL	Calf Pad, Color **	14
27	AC1506X-01	Heel Loop with Hardware	23
28	CA8016X-01	Bumper	9,16
29	CA8007X-01	Handle Grip	9
30	CA8006X-01	Kick Tube Cap	9
31	FR3109L-01 FR3109R-01	Foot Plate w/Heel Loop, Left * Foot Plate w/Heel Loop, Right *	16
32	FR3108X-01	Footplate Only for Footrest & Legrest Universal Left or Right	16
33	LR7012X-01	Tension "O" Ring for Foot Plate	16
34	LR7013X-01	Screw for Foot Plate	16
35	CA3026X-01	Seat Guide (black nylon)	10
36	CA3028X-01	Journal Cap for Fork Stem	9
38	CA8021X-01	Pivot Link with Bracket & Hdw	22
39	LR7000L-01 LR7000R-01	Lock Lever Complete, Left * Lock Lever Complete, Right *	15
40	LR7001L-01 LR7001R-01	Spring Only for Lock Lever, Left * Spring Only for Lock Lever, Right *	15
41	FM2005X-01	Cross Brace Set	21
42	LR7020L-01 LR7020R-01	Adjustment Rod Complete, Left * Adjustment Rod Complete, Right *	15
43	LR7003X-01	Calf Pad Bracket	15
44	LR7002X-01	Calf Pad Hinge Plate	15
46	UP1212X-01-CL	Handle Closing Straps **	20
50	AC1511X-01	Safety Belt, for 24" Wide Chairs	23
51	CA3042X-01	Cross Brace Fame Bolt & Nut	21
52	FM3001X-01	Cross Brace Plug, set of 4	9

31 * Determine Left or Right when sitting in the wheelchair
** Upholstery Colors: 22-Burgundy, 50-Green, 02-Dk. Blue



**24" Wide HD
Stainless Steel**

- WCM2425SD27
- WCM2475SD27
- WCM2425SD50
- WCM2475SD50
- WCM2425SD02
- WCM2475SD02

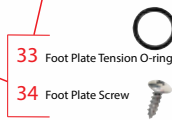


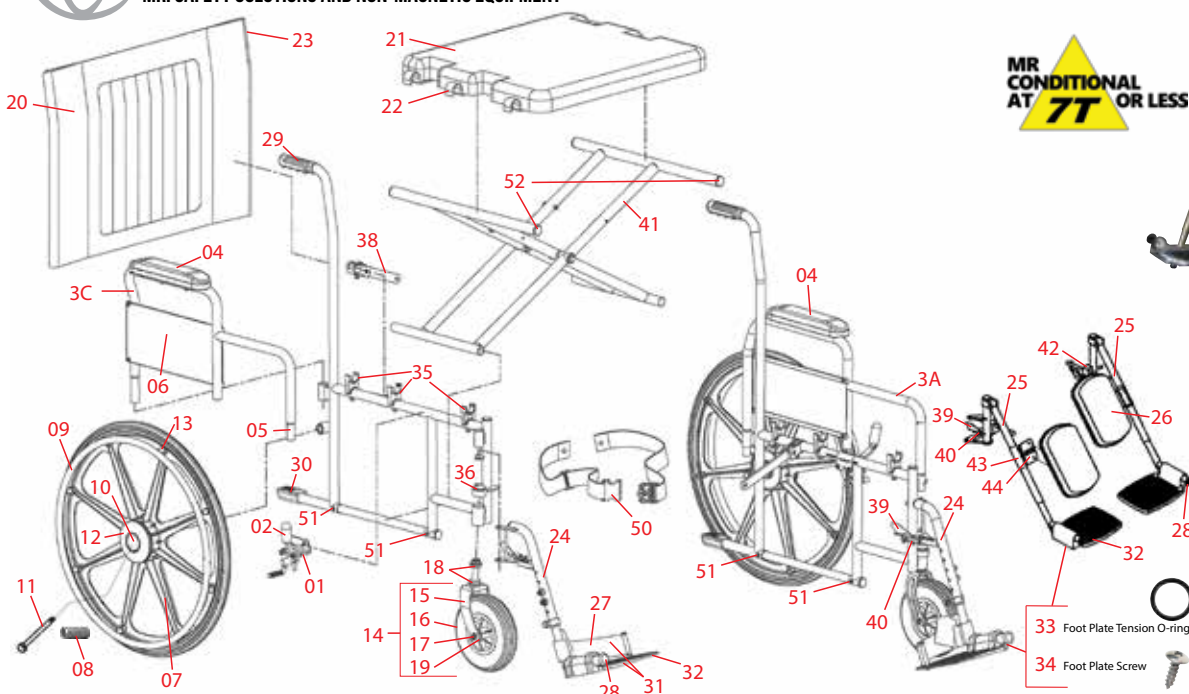
Fig	Model	Description	Page
01	BR8006L-01 BR8006R-01	Brake Complete, Left * Brake Complete, Right *	8 8
02	BR8007X-01	Rubber Tip for Brake	2
3A	AR2606L-01-CL	Detach Left Side Desk Length Arm, Complete with skirtguard, armrest & button lock, Color * **	11
3C	AR2606R-01-CL	Detach Right Side Desk Length Arm, Complete with skirtguard, armrest & button lock, Color * **	11
04	AR2204X-01-CL	Desk Length Armrest, Color **	12
05	AR9011X-01	Button Lock	12
06	AR3048X-01	Skirtguard 13 1/4" x 6"	12
07	WH1238X-01	24" Wheel Complete with 5/8" Bearings, Handrim & Hub Cap	5
08	HW9215X-01	Spacer, Between Wheel Bearings	7
09	WH6029X-01	Stainless Steel Handrim	7
10	BE1016X-01	5/8" Ceramic Wheel Bearing	3
11	WH6110X-01	Axle and Nut for Rear Wheel	8
12	CA3024X-01	4" Large Style Hub Cap	7
13	HW9213X-01	Handrim Screws & Spacers (set of 8)	7
14	WH3108X-01	8" Fork Assembly (fork, 8" wheel, bearings & axle)	6
15	WH9109X-01	Fork with Nut	6
16	WH3109X-01	8" Wheel with Bearings	5
17	HW6108X-01	Axle and Nut for Front Wheel	8
18	BE2019X-01	Bearing for Fork Stem	4
19	BE1017X-01	Bearing for Front Wheel	4
20	UP1318X-01-CL	Back Upholstery w/Hardware **	17
21	UP0810X-01-CL	Solid Seat Upholstery w/Straps **	17

Fig	Model	Description	Page
22	UP1200X-01	Set of 3 Straps For Seat Upholstery	19
23	UP1223X-01	Back Attaching Hardware Set	19
24	FR3107L-01 FR3107R-01	Footrest Complete Left Side * Footrest Complete Right Side *	13 13
25	LR3107L-01-CL LR3107R-01-CL	Legrest Complete Left, Color * ** Legrest Complete Right, Color * **	14 14
26	LR3108X-01-CL	Calf Pad, Color **	14
27	AC1518L-01 AC1518R-01	Heel Loop with Hardware, Left * Heel Loop with Hardware, Right *	23 23
28	CA8016X-01 CA8004X-01	Rubber Bumper Roller Bumper	9,16 9
29	CA8007X-01	Handle Grip	9
30	CA8006X-01	Kick Tube Cap	9
31	FR3112L-01 FR3112R-01	Foot Plate w/Heel Loop, Left * Foot Plate w/Heel Loop, Right *	16 16
32	FR3111X-01	Footplate Only for Footrest & Legrest Universal Left or Right	16
33	LR7012X-01	Tension "O" Ring for Foot Plate	16
34	LR7013X-01	Screw for Foot Plate	16
35	CA3026X-01	Seat Guide (black nylon)	10
36	CA3028X-01	Journal Cap for Fork Stem	9
38	CA8023X-01	Pivot Link with Bracket & Hdw	22
39	LR7000L-01 LR7000R-01	Lock Lever Complete, Left * Lock Lever Complete, Right *	15 15
40	LR7001L-01 LR7001R-01	Spring Only for Lock Lever, Left * Spring Only for Lock Lever, Right *	15 15
41	FM2006X-01	Cross Brace Set	21
42	LR7020L-01 LR7020R-01	Adjustment Rod Complete, Left * Adjustment Rod Complete, Right *	15 15
43	LR7003X-01	Calf Pad Bracket	15
44	LR7002X-01	Calf Pad Hinge Plate	15
50	AC1511X-01	Safety Belt, for 24" Wide Chairs	23
51	CA3042X-01	Cross Brace Frame Bolt & Nut	21
52	FM3002X-01	Cross Brace Plug, set of 4	9

* Determine Left or Right when sitting in the wheelchair
** Upholstery Colors: 22-Burgundy, 50-Green, 02-Dk. Blue

24" Wide MRI HD Wheelchair Desk Length Arms //

26" Wide HD Wheelchair Desk Length Arms //



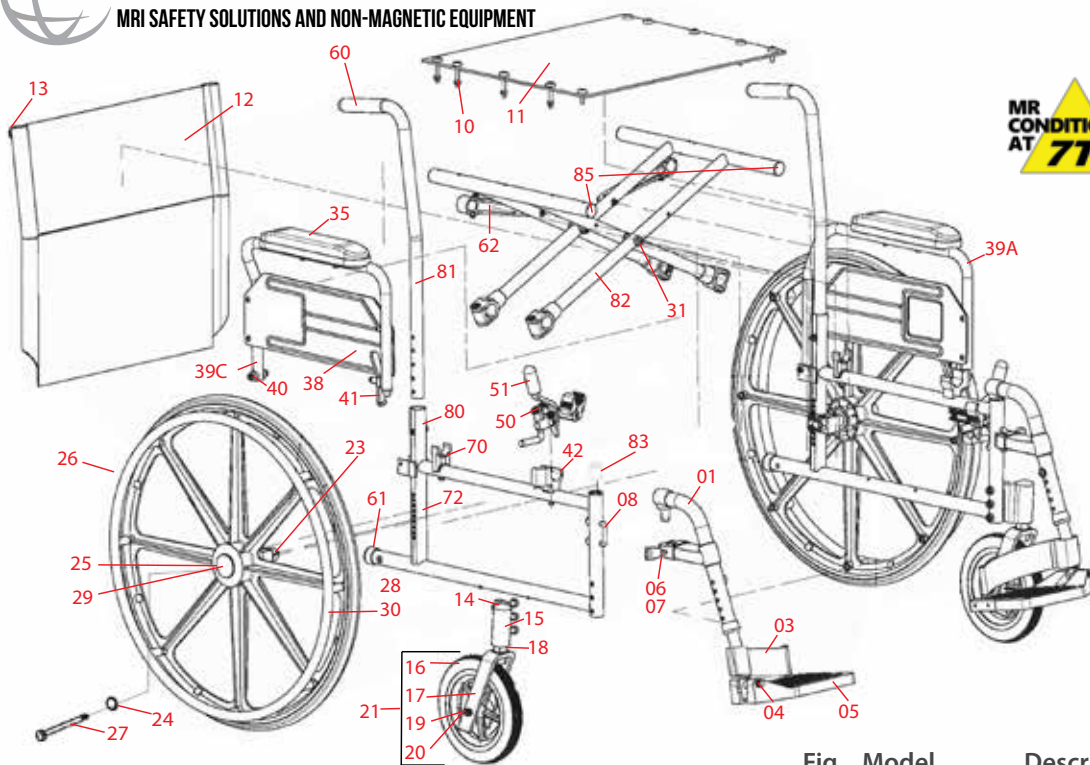
**26" Wide HD
Stainless Steel**

- WCM2626SD27
- WCM2676SD27
- WCM2626SD50
- WCM2676SD50
- WCM2626SD02
- WCM2676SD02

Fig	Model	Description	Page
01	BR8006L-01 BR8006R-01	Brake Complete, Left * Brake Complete, Right *	8 8
02	BR8007X-01	Rubber Tip for Brake	2
3A	AR2606L-01-CL	Detach Left Side Desk Length Arm, Complete with skirtguard, armrest & button lock, Color * **	11
3C	AR2606R-01-CL	Detach Right Side Desk Length Arm, Complete with skirtguard, armrest & button lock, Color * **	11
04	AR2204X-01-CL	Desk Length Armrest, Color **	12
05	AR9011X-01	Button Lock	12
06	AR3048X-01	Skirtguard 13 1/4" x 6"	12
07	WH1238X-01	24" Wheel Complete with 5/8" Bearings, Handrim & Hub Cap	5
08	HW9215X-01	Spacer, Between Wheel Bearings	7
09	WH6029X-01	Stainless Steel Handrim	7
10	BE1016X-01	5/8" Ceramic Wheel Bearing	3
11	WH6110X-01	Axle and Nut for Rear Wheel	8
12	CA3024X-01	4" Large Style Hub Cap	7
13	HW3213X-01	Handrim Screws & Spacers (set of 8)	7
14	WH3108X-01	8" Fork Assembly (fork, 8" wheel, bearings & axle)	6
15	WH9109X-01	Fork with Nut	6
16	WH3109X-01	8" Wheel with Bearings	5
17	HW6108X-01	Axle and Nut for Front Wheel	8
18	BE2019X-01	Bearing for Fork Stem	4
19	BE1017X-01	Bearing for Front Wheel	4
20	UP1313X-01-CL	Back Upholstery w/Hardware **	17
21	UP0510X-01-CL	Solid Seat Upholstery w/Straps **	17
22	UP1201X-01	Set of 3 Straps For Seat Upholstery	19

Fig	Model	Description	Page
23	UP1223X-01	Back Attaching Hardware Set	19
24	FR3107L-01 FR3107R-01	Footrest Complete Left Side * Footrest Complete Right Side *	13 13
25	LR3107L-01-CL LR3107R-01-CL	Legrest Complete Left, Color * ** Legrest Complete Right, Color * **	14 14
26	LR3108X-01	Calf Pad, Color **	14
27	AC1518L-01 AC1518R-01	Heel Loop with Hardware, Left * Heel Loop with Hardware, Right *	23 23
28	CA8016X-01 CA8004X-01	Rubber Bumper Roller Bumper	9,16 9
29	CA8007X-01	Handle Grip	9
30	CA8006X-01	Kick Tube Cap	9
31	FR3112L-01 FR3112R-01	Foot Plate w/Heel Loop, Left * Foot Plate w/Heel Loop, Right *	16 16
32	FR3111X-01	Footplate Only for Footrest & Legrest Universal Left or Right	16
33	LR7012X-01	Tension "O" Ring for Foot Plate	16
34	LR7013X-01	Screw for Foot Plate	16
35	CA3026X-01	Seat Guide (black nylon)	10
36	CA3028X-01	Journal Cap for Fork Stem	9
38	CA8022X-01	Pivot Link with Bracket and Hardware	22
39	LR7000L-01 LR7000R-01	Lock Lever Complete, Left * Lock Lever Complete, Right *	15 15
40	LR7001L-01 LR7001R-01	Spring Only for Lock Lever, Left * Spring Only for Lock Lever, Right *	15 15
41	FM2007X-01	Cross Brace Set	21
42	LR7020R-01 LR7020L-01	Adjustment Rod Complete, Left * Adjustment Rod Complete, Right *	15 15
43	LR7003X-01	Calf Pad Bracket	15
44	LE7002X-01	Calf Pad Hinge Plate	15
50	AC1511X-01	Safety Belt, for 26" Wide Chairs	23
51	CA3042X-01	Cross Brace Frame Bolt & Nut	21
52	FM3002X-01	Cross Brace Plug, set of 4	9

* Determine Left or Right when sitting in the wheelchair
 ** Upholstery Colors: 22-Burgundy, 50-Green, 02-Dk. Blue



20" Wide Aluminum WCA2025SD27



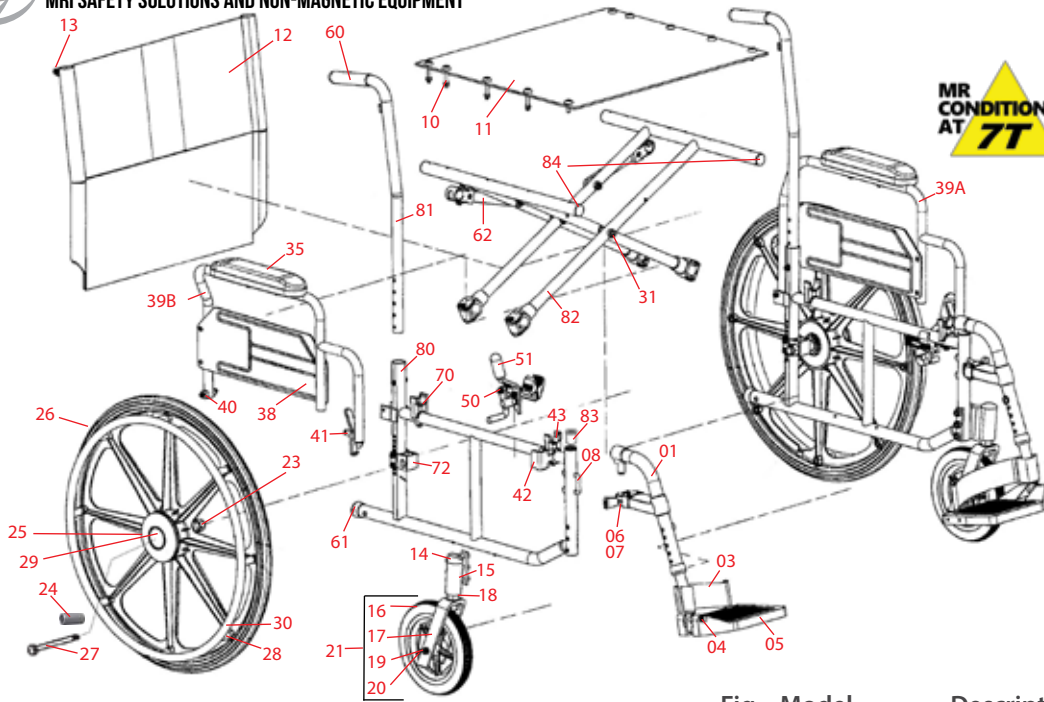
20" Wide MRI Aluminum Non-Ferromagnetic Wheelchair //

Fig	Model	Description	Page
01	FR3201L-05	Footrest Complete, Left Side *	13
	FR3201R-05	Footrest Complete, Right Side *	13
03	AC1601L-05	Heel Loop with Hardware, Left *	23
	AC1601R-05	Heel Loop with Hardware, Right *	23
04	HW9218x-01	Attaching Hardware for Plastic Footplate	16
05	FR3113X-05	Footplate Only for Footrest & Legrest Universal Left or Right	16
06	FR3210X-05	Front Rigging Lock Assembly Complete, Universal Left or Right	15
07	CA8015X-05	Spring Only, for Lock Assembly	15
08	FM1010X-01	Front Rigging Lock "U" Bolt	15
10	UP1430X-05	Seat Attaching Hardware Set	19
11	UP1401X-05-CL	Seat Upholstery w/Hardware **	18
12	UP1404X-05-CL	Back Upholstery w/Hardware **	18
13	UP1431X-05	Back Attaching Hardware Set	19
14	WH3132X-05	Black Journal Cap	9
15	WH3114L-05	Fork Caster Assembly, Left *	6
	WH3114R-05	Fork Caster Assembly, Right *	6
16	WH3116X-05	8" Wheel with Bearings	5
17	WH3117X-05	Fork with Nut	6
18	BE1050X-05	Bearing for Fork Stem	4
19	WH3119X-05	Axle and Nut for Front Wheel	8
20	BE1017X-01	Bearing for Front Wheel	4
21	WH3104X-05	Wheel Assembly, Fork, Wheel, Bearings and Axle	6
23	WH3137X-05	Spacer, Between Wheel & Frame	7
24	HW9217X-01	Washer, for Rear Axle	7
25	BE1013X-01	5/8" White Nylon Wheel Bearing	3
26	WH3130X-05	24" Wheel Complete with 5/8" Bearings, Handrim & Hub Cap	5
27	WH3121X-05	Axle and Nut for Rear Wheel	8

Fig	Model	Description	Page
28	WH3122X-05	Handrim Screws (set of 8)	7
29	CA3024X-01	4" Large Style Hub Cap	7
30	WH3124X-05	Black Nylon Handrim	7
31	HW9219x-01	Cross Brace Hardware Only, 2 Sets Bolt, Nut, Plastic Washers	21
35	AR5001X-05-CL	Desk Length Armrest, Color **	12
38	AR5002X-05	Skirtguard 15 1/4" x 5 1/2"	12
39A	AR5003L-05-CL	Flip Back Left Side Desk Length Arm, Complete with skirtguard, armrest & button lock, Color * **	11
39C	AR5003R-05-CL	Flip Back Right Side Desk Length Arm, Complete with skirtguard, armrest & button lock, Color * **	11
40	AR5010X-05	Flip Up Arm Hardware Only (nut, bolt, spacers)	12
41	CA8008X-01	Flip Up Arm Lock, Release Lever	12
42	AR5005L-05	Flip Up Arm Socket/Seat Guide, Left *	10
	AR5005R-05	Flip Up Arm Socket/Seat Guide, Right *	10
50	BR8008L-05	Brake Complete, Left *	8
	BR8008R-05	Brake Complete, Right *	8
51	BR8007X-01	Rubber Tip for Brake	9
60	FM1008X-05	Handle Grip	9
61	FM1005X-05	Kick Tube Cap	9
62	FM1014X-05	Pivot Link with Bracket and Hardware	22
70	AR5007X-05	Seat Guide (black nylon)	10
72	WH3125L-05	Rear Axle Bracket, Left *	8
	WH3125R-05	Rear Axle Bracket, Right *	8
80	FM1002L-05	Lower Main Frame, Left *	20
	FM1002R-05	Lower Main Frame, Right *	20
81	FM1001X-05	Back Cane	20
82	FM1011X-05	Cross Brace Set	21
83	FM1013X-05	Front Rigging Top Mount Bushing	15
85	FM3000X-01	Cross Brace Plug, set of 4	9

* Determine Left or Right when sitting in the wheelchair
** Upholstery Colors: 22-Burgundy, 50-Green, 02-Dk. Blue

MRI SAFETY SOLUTIONS AND NON-MAGNETIC EQUIPMENT



22" Wide Aluminum
WCA2226SD27

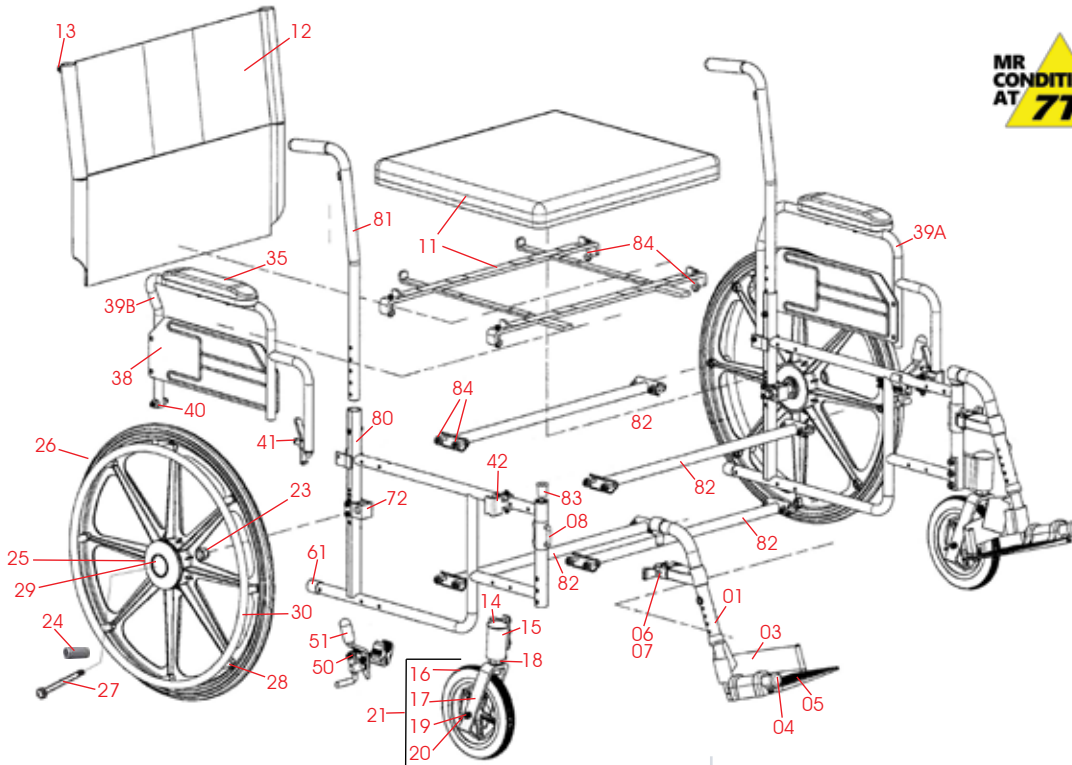


22" Wide Aluminum Non-Ferromagnetic Wheelchair //

Fig	Model	Description	Page
01	FR3201L-05 FR3201R-05	Footrest Complete, Left Side * Footrest Complete, Right Side *	13 13
03	AC1601L-05 AC1601R-05	Heel Loop with Hardware, Left * Heel Loop with Hardware, Right *	23 23
04	HW9218x-01	Attaching Hardware for Plastic Footplate	16
05	FR3113X-05	Footplate Only for Footrest & Legrest Universal Left or Right	16
06	FR3210X-05	Front Rigging Lock Assembly Complete, Universal Left or Right	15
07	CA8015X-05	Spring Only, for Lock Assembly	15
08	FM1010X-05	Front Rigging Lock "U" Bolt	15
10	UP1430X-05	Seat Attaching Hardware Set	19
11	UP1402X-05-CL	Seat Upholstery w/Hardware **	18
12	UP1405X-05-CL	Back Upholstery w/Hardware **	18
13	UP1432X-05	Back Attaching Hardware Set	19
14	WH3132X-05	Black Journal Cap	9
15	WH3114L-05 WH3114R-05	Fork Caster Assembly, Left * Fork Caster Assembly, Right *	6 6
16	WH3116X-05	8" Wheel with Bearings	5
17	WH3117X-05	Fork with Nut	6
18	BE1050X-05	Bearing for Fork Stem	4
19	WH3119X-05	Axle and Nut for Front Wheel	8
20	BE1017X-01	Bearing for Front Wheel	4
21	WH3104X-05	Wheel Assembly, Fork, Wheel, Bearings and Axle	6
23	WH3137X-05	Spacer, Between Wheel & Frame	7
24	WH9215X-05	Spacer, Between Wheel Bearings	7
25	BE1016X-01	5/8" Ceramic Wheel Bearing	3
26	WH3131X-05	24" Wheel Complete with 5/8" Bearings, Handrim & Hub Cap	5

Fig	Model	Description	Page
27	WH3121X-05	Axle and Nut for Rear Wheel	8
28	WH3122X-05	Handrim Screws (set of 8)	7
29	CA3024X-05	4" Large Style Hub Cap	9
30	WH3124X-05	Black Nylon Handrim	7
31	HW9219x-01	Cross Brace Hardware Only, 2 Sets Bolt, Nut, Plastic Washers	21
35	AR5001X-05-CL	Desk Length Armrest, Color **	12
38	AR5002X-05	Skirtguard 15 1/4" x 5 1/2"	12
39A	AR5004L-05-CL	Flip Back Left Side Desk Length Arm, Complete with skirtguard, armrest & button lock, Color * **	11
39B	AR5004R-05-CL	Flip Back Right Side Desk Length Arm, Complete with skirtguard, armrest & button lock, Color * **	11
40	AR5010X-05	Flip Up Arm Hardware Only (nut, bolt, spacers)	12
41	CA8008X-01	Flip Up Arm Lock, Release Lever	12
42	AR5006L-05 AR5006R-05	Flip Up Arm Socket, Left * Flip Up Arm Socket, Right *	10 10
43	AR5009X-05	Seat Guide, Black Nylon	10
50	BR8008L-05 BR8008R-05	Brake Complete, Left * Brake Complete, Right *	8 8
51	BR8007X-01	Rubber Tip for Brake	9
60	FM1008X-05	Handle Grip	9
61	FM1005X-05	Kick Tube Cap	9
62	FM1015X-05	Pivot Link with Bracket and Hardware	22
70	AR5007X-05	Rear Seat Guide (black nylon)	10
72	WH3125L-05 WH3125R-05	Rear Axle Bracket, Left * Rear Axle Bracket, Right *	8 8
80	FM1006L-05 FM1006R-05	Lower Main Frame, Left * Lower Main Frame, Right *	20 20
81	FM1017X-05	Back Cane	20
82	FM1012X-05	Cross Brace Set	21
83	FM1013X-05	Front Rigging Top Mount Bushing	15
85	FM3000X-01	Cross Brace Plug, set of 4	9

* Determine Left or Right when sitting in the wheelchair
** Upholstery Colors: 22-Burgundy, 50-Green, 02-Dk. Blue



24" Wide HD Aluminum WCA2425SD27



24" Wide Aluminum Non-Ferromagnetic Wheelchair //

Fig	Model	Description	Page
01	FR3202L-05 FR3202R-05	Footrest Complete, Left Side * Footrest Complete, Right Side *	13 13
03	AC1602L-05 AC1602R-05	Heel Loop with Hardware, Left * Heel Loop with Hardware, Right *	23 23
04	LR7016X-01	Front Bumber, Black	16
05	FR3111X-01	Footplate Only for Footrest & Legrest Universal Left or Right	16
06	FR3210X-05	Front Rigging Lock Assembly Complete, Universal Left or Right	15
07	CA8015X-05	Spring Only, for Lock Assembly	15
08	FM1010X-05	Front Rigging Lock "U" Bolt	15
10	UP1430X-05	Seat Attaching Bracket Only	15
11	UP1403X-05-CL	Solid Seat Uph. w/Bracket **	18
12	UP1406X-05-CL	Back Upholstery w/Hardware **	18
13	UP1224X-01	Back Attaching Hardware Set	19
14	WH3133X-05	Black Journal Cap	9
15	WH3115L-05 WH3115R-05	Fork Caster Assembly, Left * Fork Caster Assembly, Right *	6 6
16	WH3116X-05	8" Wheel with Bearings	5
17	WH3118X-05	Fork with Nut	6
18	BE1051X-05	Bearing for Fork Stem	4
19	WH3119X-05	Axle and Nut for Front Wheel	8
20	BE1017X-01	Bearing for Front Wheel	4
21	WH3104X-05	Wheel Assembly, Fork, Wheel, Bearings and Axle	6
23	WH3137X-05	Spacer, Between Wheel & Frame	7
24	HW9215X-01	Spacer, Between Wheel Bearings	7
25	BE1016X-01	5/8" Ceramic Wheel Bearing	3
26	WH3131X-05	24" Wheel Complete with 5/8" Bearings, Handrim & Hub Cap	5

Fig	Model	Description	Page
27	WH3121X-05	Axle and Nut for Rear Wheel	8
28	WH3122X-05	Handrim Screws & Spacers (set of 8)	7
29	CA3024X-01	4" Large Style Hub Cap	9
30	WH3124X-05	Black Nylon Handrim	7
35	AR5001X-05-CL	Desk Length Armrest, Color **	12
38	AR5002X-05	Skirtguard 15 1/4" x 5 1/2"	12
39A	AR5004L-05-CL	Flip Back Left Side Desk Length Arm, Complete with skirtguard, armrest & button lock, Color * **	11
39B	AR5004R-05-CL	Flip Back Right Side Desk Length Arm, Complete with skirtguard, armrest & button lock, Color * **	11
40	AR5010X-05	Flip Up Arm Hardware Only (nut, bolt, spacers)	12
41	CA8008X-01	Flip Up Arm Lock, Release Lever	12
42	AR5006L-05 AR5006R-05	Flip Up Arm Socket, Left * Flip Up Arm Socket, Right *	10 10
50	BR8008L-05 BR8008R-05	Brake Complete, Left * Brake Complete, Right *	8 8
51	BR8007X-01	Rubber Tip for Brake	9
60	FM1008X-05	Handle Grip	9
61	FM1009X-05	Kick Tube Cap	9
72	WH3125L-05 WH3125R-05	Rear Axle Bracket, Left * Rear Axle Bracket, Right *	8 8
80	FM1007L-05 FM1007R-05	Lower Main Frame, Left * Lower Main Frame, Right *	20 20
81	FM1016X-05	Back Cane	20
82	FM1004X-05	Frame Support Tube, 1 Each	21
83	FM1013X-05	Front Rigging Top Mount Bushing	15
84	UP1430X-05	Aluminum Seat Frame Bolts, set of 4	19

* Determine Left or Right when sitting in the wheelchair
** Upholstery Colors: 22-Burgundy, 50-Green, 02-Dk. Blue



Stainless Steel

- STM1550-01
- STM1551-01
- STM1552-01
- STM1553-01
- STM1585-01
- STM1586-01
- STM1587-01
- STM1588-01

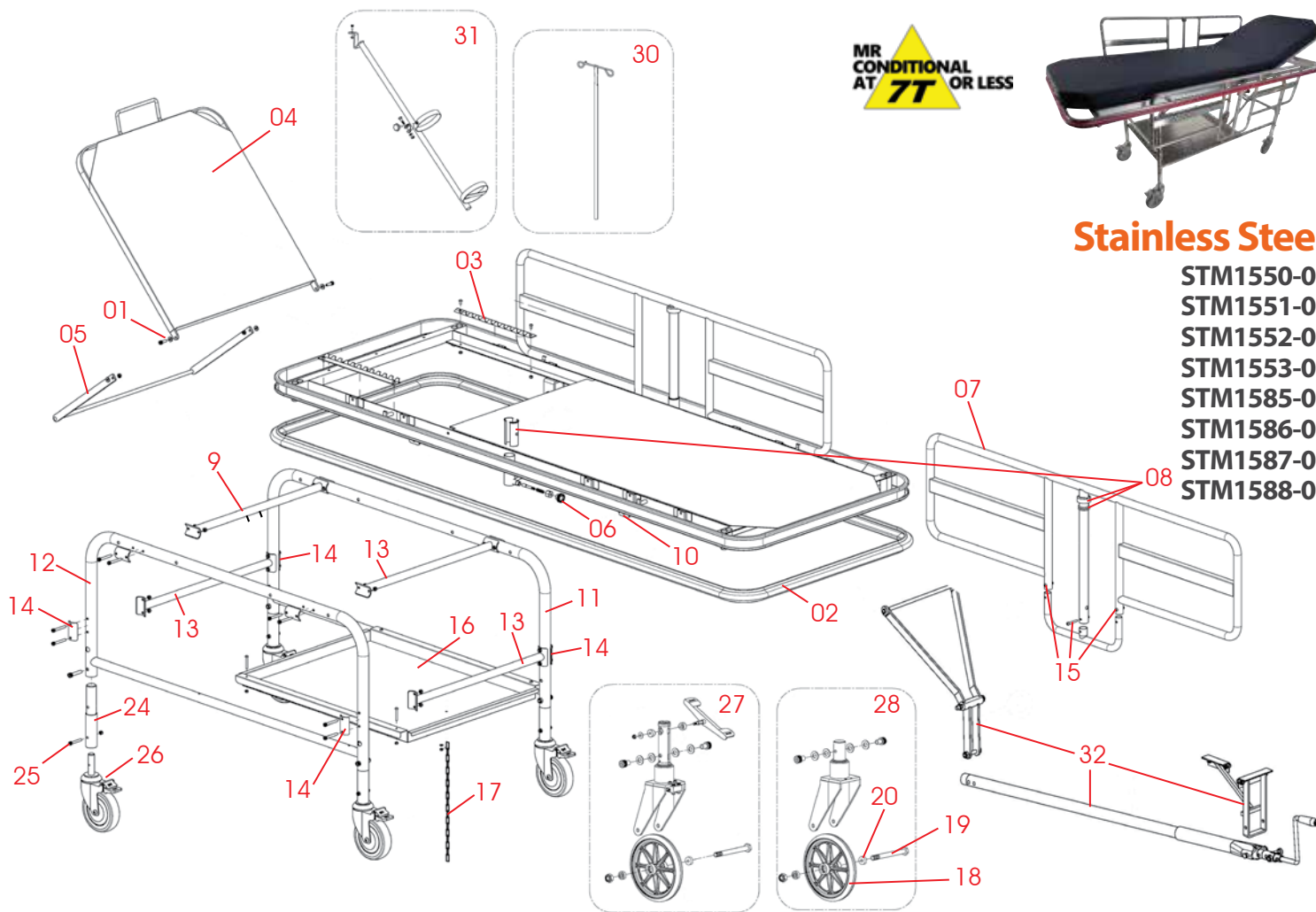


Fig	Model	Description
01	STM2634-01	Attaching Bolts for Head Support, Set of 2
02	STM2602-01	Red Stretcher Bumper
03	STM2603-01	Latch Strip w/ Attaching Hardware
04	STM2604-01	Back w/ Attaching Hardware
05	STM2605-01	Back Support
06	STM2633-01	Release Knob Complete for Side Rail
07	STM2455-01 STM2454-01 STM2453-01	Side Rail Complete, Serial Number STR00711 & Up Serial Number STR00741 - STR00770 Serial Number STR00001 - STR00740
08	STM2635-01	Plastic Bushing Set, for Side Rail Vertical Tube
09	STM2624-01	Frame Cross Tube Support for Fowler Crank Position Bolt
11	STM2611-01	Stretcher Main Frame, Left *
12	STM2611-02	Stretcher Main Frame, Right *
13	STM2613-01	Frame Cross Tube Support
14	STM2815-01	U Shape Frame Support Brace, with Hardware
15	STM2822-01	Railing Screws set for 1 Rail

Fig	Model	Description
16	STM2616-01	Utility Shelf
17	STM2617-01	Chain w/ Screw
18	WH3107X-01	8" Caster Wheel w/ Bearings
19	HW3108X-01	8" Caster Axle
20	BE1012X-01	8" Caster Bearings
24	STM2650-01	Adapter for Stretcher Leg, w/ Attaching Hardware
25	STM2615-01	Attaching Bolt and Nut for Caster
26	STM2651-01	5" Caster w/ Brake, Complete
27	STM2652-01	8" Caster w/ Brake and Pedal, Complete
28	STM2653-01	8" Caster Complete
30	STM1556-01	IV Pole for Stretcher
31	STM1559-01	O2 Tank Holder for E Cylinder Tanks
32	STM2460-01	Complete Crank Assembly
	STM1555-01-CL	Replacement Stretcher Pad **
	STM1558-01	Safety Straps, Set of 3
	STM1157-01-CL	Rail Pads, Pair **

* Determine Left or Right when sitting in the wheelchair
 ** Upholstery Colors: 22-Burgundy, 50-Green, 02-Dk. Blue



Fig.	Model	Des.	Description	Quantity
A	STM2634-01		Head Support Hardware	1 Set
B	STM2613-01		Frame Cross Tube	1 each
C	STM2650-01		Caster Adapter w/ Hardware	1 each
D	STM2615-01		Caster Nut & Bolt for Attaching Caster	1 each
E	STM2651-01		5" Caster w/ Nut & Bolt	1 each
F	STM2815-01		"U" Shaped Frame Support Brace	1 each
G	STM2617-01		Chain w/ Attaching Screw & Nut	1 each
H	STM2822-01		Railing Screws set for 1 Rail	1 Set
I	STM2633-01		Release Knob Assembly w/ Spring & Pin	1 Set
J	STM2635-01		Railing Sleeve, O-Rings, & Top Cover Set	1 each
K	STM2605-01		Support Tube Assembly for Backrest	1 each



BACK ASSEMBLY COMPLETE WITH ATTACHING **HARDWARE** ⚠️

MODEL # **STM2604-01**
Fits **Stainless Steel** Stretcher



IV POLE ⚠️

MODEL # **STM1556-01**
Fits **Stainless Steel** Stretcher



LATCH STRAP WITH ATTACHING **HARDWARE** ⚠️

MODEL # **STM2603-01**
Fits **Stainless Steel** Stretcher



IV HOLDER ⚠️

MODEL # **STM1559-01**
Fits **Stainless Steel** Stretcher



FOWLER CRANK ⚠️

MODEL # **STM2460-01**
Fits **Stainless Steel** Stretcher



MAIN FRAME ⚠️

MODEL # **STM2711-01-L** (Left)
Fits **Stainless Steel** Stretcher

MODEL # **STM2711-01-R** (Right)
Fits **Stainless Steel** Stretcher



UTILITY SHELF ⚠️

MODEL # **STM2616-01**
Fits **Stainless Steel** Stretcher

* Determine Left or Right when laying on the Stretcher



8" WHEEL 

MODEL # WH3107X-01
Fits **Stainless Steel** Stretcher



8" WHEEL CASTER 

MODEL # STM2653-01
Fits **Stainless Steel** Stretcher
2 Per Assembly



8" WHEEL CASTER W/ SWIVEL LOCK AND WHEEL BRAKE 

MODEL # STM2652-01
Fits **Stainless Steel** Stretcher
2 Per Assembly



FOWLER CROSSTUBE 

MODEL # STM2624-01
Fits **Stainless Steel** Stretcher



8" CASTER BEARING 

MODEL # BE1012X-01
Fits **Stainless Steel** Stretcher



8" CASTER AXLE 

MODEL # HW6108X-01
Fits **Stainless Steel** Stretcher



REDBUMPER 

MODEL # STM2602-01
Fits **Stainless Steel** Stretcher



COMPLETE SIDERAIL 

MODEL # STM2455-01
Fits **Stainless Steel** Stretcher
Stretcher serial number STR00771 and Up

MODEL # STM254-01
Fits **Stainless Steel** Stretcher
Stretcher serial number STR00741 Thru 00770

MODEL # STM2453-01
Fits **Stainless Steel** Stretcher
Stretcher serial number STR00001 Thru 00740

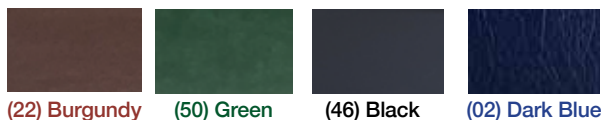


Stainless Steel

Stainless Steel Stretcher Accessories

Fig	Model	Description
C	STM1558-01	Safety Straps, Set of 3
D	STM1556-01	Stainless Steel I.V. Pole

Specify Color



SIDE RAILPADS

MODEL # STM1157-01-CL
 Fits **Stainless Steel** Stretcher
 Pad Size - 49"L x 12"H, Sold In Pairs
 Custom Sizes Available Upon Request



A

B



BURGANDY STRETCHERPAD

MODEL # STM1555-01-22 
 Fits **Stainless Steel** Stretcher
 Pad Size - 73.5"Length x 26"Width x 3"Thick
 Custom Sizes Available Upon Request

GREEN STRETCHERPAD

MODEL # STM1555-01-50 
 Fits **Stainless Steel** Stretcher
 Pad Size - 73.5"Length x 26"Width x 3"Thick
 Custom Sizes Available Upon Request

BLACK STRETCHERPAD

MODEL # STM1555-01-46 
 Fits **Stainless Steel** Stretcher
 Pad Size - 73.5"Length x 26"Width x 3"Thick
 Custom Sizes Available Upon Request

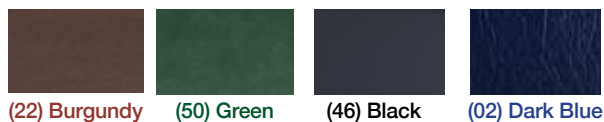


Aluminum

Stainless Steel Stretcher Accessories

Fig	Model	Description
C	STM1561-01	Safety Straps, Set of 3
D	STA5100-01	Aluminum I.V. Pole

Specify Color



SIDE RAIL PADS

MODEL # STA1159-01-CL
Fits **Aluminum** Stretcher
Pad Size - 47"L x 11"H, Sold In Pairs
Custom Sizes Available Upon Request

SIDE RAIL PADS

MODEL # STA1160-01-CL
Fits **Aluminum** Stretcher
Pad Size - 40"L x 11"H, Sold In Pairs
Custom Sizes Available Upon Request



B



BURGANDY STRETCHER PAD

MODEL # STM1555-01-22
Fits **Aluminum** Stretcher
Pad Size - 73.5"Length x 26"Width x 3"Thick
Custom Sizes Available Upon Request



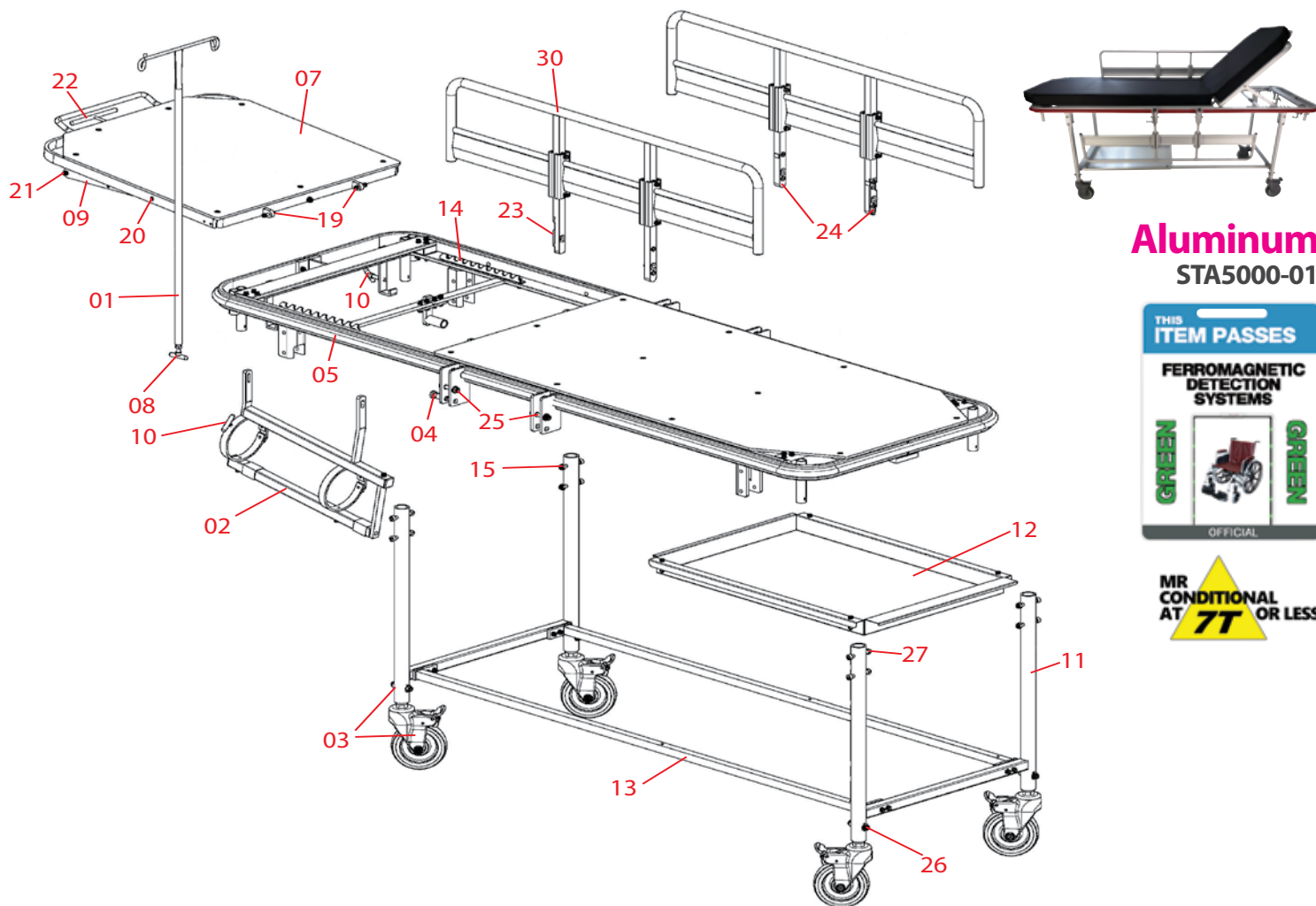
GREEN STRETCHER PAD

MODEL # STM1555-01-50
Fits **Aluminum** Stretcher
Pad Size - 73.5"Length x 26"Width x 3"Thick
Custom Sizes Available Upon Request



BLACK STRETCHER PAD

MODEL # STM1555-01-46
Fits **Aluminum** Stretcher
Pad Size - 73.5"Length x 26"Width x 3"Thick
Custom Sizes Available Upon Request



Aluminum STA5000-01



Fig	Model	Description
01	STA5100-01	IV Pole for Aluminum Stretcher
02	STA5101-01	O2 Tank Holder for E Cylinder Tanks
03	STM2353-01	5" Caster w/ Brake, w/ Attaching Hardware
04	STA5700-01	Rail Release Button Assembly
05	STM2602-01	Red Rubber Bumper
07	STA5164-01	Back Assembly Complete w/ Attaching Hardware
08	STA5170-01	"T" Knobe for IV Pole
09	STA5167-01	Back Position Lock Assembly
10	STA5169-01	"T" Knob for O2 Holder
11	STA5180-01	Leg Only w/ Attaching Hardware
12	STA5181-01	Aluminum Utility Tray
13	STA5182-01	Lower Frame Connector set w/ Attaching Hardware
14	STA5159-01	Ratchet Positioners for Backrest
15	STA5173-01	Frame Leg Bolt & Nut
19	STA5189-05	Head Pannel Mounting Bolt, Nut, & Plastic Washers

Fig	Model	Description
20	STA5188-05	Head Support Mounting Bolt, Nut, & Plastic Washers
21	STA5186-05	Head Support Bar Bolt & Plastic Washer
22	STA5187-05	Head Adjustment Pull Bar
23	STA5184-05	Railing Glide Bracket / Fixes 1 Rail Fits SN#'s STR00621 and Up
24	STA5183-05	Plastic Railing Glides / Fixes 1 Rail (STR00406-STR00480) & (STR00561-STR00580)
25	STA5191-05	Side Rail Mounting Bolt, Nut & Plastic Washers
26	STA5190-05	Caster Bolt, Nut, & Plastic Washers
27	STA5173-01	Leg Bolt & Nut
		Side Rails Complete, Order By Serial # See Page 45 for More Info
30	STA5177-OB	Fits SN#'s STR00406 Thru STR00580
	STA5177-OC	Fits SN#'s STR00621 Thru STR00680
	STA5178-LT	Fits SN#'s STR01510 and Up, Left
	STA5178-RT	Fits SN#'s STR01510 and Up, Right
	STM1555-01-CL	Replacement Stretcher Pad **
	STM5161-01	Safety Straps, Set of 3
	STA1159-01-CL	Rail Pads, Pair, 47"L x 11"H **
	STA1160-01-CL	Rail Pads, Pair, 40"L x 11"H **

* Determine Left or Right when sitting in the wheelchair

** Upholstery Colors: 22-Burgundy, 50-Green, 02-Dk. Blue



Aluminum



Aluminum Non-Ferromagnetic Stretcher Parts //



Fig.	Model	Des.	Description	Quantity
A	STA5186-05		Head Support Bar Bolt & Plastic Washer	1 each
B	STA5187-05		Head Adjustment Pull Bar	1 each
C	STA5188-05		Head Support Mounting Bolt, Nut, & Plastic Washers	1 each
D	STA5189-05		Head Pannel Mounting Bolt, Nut, & Plastic Washers	1 each
E	STA5173-01		Leg Bolt & Nut	1 each
F	STA5190-05		Caster Bolt, Nut, & Plastic Washers	1 each
G	STM2353-01		5" Caster w/ Attaching Hardware	1 each
H	STA5191-05		Side Rail Mounting	1 each
I	STA5184-05		Railing Glide Bracket / Fixes 1 Rail, Fits SN#'s STR00621 and Up	1 Set
J	STA5700-01		Rail Release Button Assembly	1 each
K	STA5183-05		Plastic Railing Guides / Fixes 1 Rail Fits Serial #'s: STR00406 - STR00480 & STR00561 - STR00580	1 Set
L	STA5182-01		Lower Frame Connector w/ Hardware	1 each
M	STA5159-01		Ratchet Positioners for Backrest	1 set



Complete SideRail

MODEL # STA5177-OB
Fits **Aluminum** Stretchers
Fits SN#'s STR00406 to STR00580
Size: Length: 39³/₄"



Complete SideRail

MODEL # STA5177-OC
Fits **Aluminum** Stretchers
Fits SN#'s STR00621 to STR00680
Size: Length: 39³/₄"



Complete SideRail

MODEL # STA5178-LT
Fits **Aluminum** Stretchers
Fits SN#'s STR01510 and Up
Size: Length: 47¹/₄"
(Left Side)

MODEL # STA5178-RT
Fits **Aluminum** Stretchers
Fits SN#'s STR01510 and Up
Size: Length: 47¹/₄"
(Right Side)

* Determine Left or Right when laying on the Stretcher



Complete Back Assembly

MODEL # STA5164-01
Fits **Aluminum** Stretchers
Attaching Hardware Included



Red Bumper
MODEL # STM2602-01
Fits **Aluminum** Stretchers

IV Pole

MODEL # STA5100-01
Fits **Aluminum** Stretchers



"T" Knob
MODEL # STA5169-01
Fits **Aluminum** Stretchers
Fit O2 Holder



O2 Holder
MODEL # STA5101-01
Fits **Aluminum** Stretchers



Utility Tray
MODEL # STA5181-01
Fits **Aluminum** Stretchers



Support Tube Assembly
MODEL # STA5167-01
Fits **Aluminum** Stretchers
Attaching Hardware Included



"T" Knob
MODEL # STA5170-01
Fits **Aluminum** Stretchers
Fits IV Pole



REPLACEMENT STRETCHER PADS

Replacement stretcher pads covered with Sure-Check Fusion III material. Available with square corners or angle cut corners. **Stretcher pads are Non-Returnable.** Custom sizes available



SQUARE CORNER PAD



CUT CORNERS PAD

MODEL #	DIMENSIONS	SHIP WEIGHT	SHIP L X W X H
STM4000-01	24"W x 75"L x 2"T	30 lbs	25" x 25" x 36"
STM4001-01	24"W x 75"L x 3"T	30 lbs	25" x 25" x 36"
STM4002-01	24"W x 75"L x 4"T	30 lbs	25" x 25" x 36"
STM4003-01	26"W x 75"L x 2"T	30 lbs	25" x 25" x 36"
STM4004-01	26"W x 75"L x 3"T	30 lbs	25" x 25" x 36"
STM4005-01	26"W x 75"L x 4"T	30 lbs	25" x 25" x 36"
STM4006-01	28"W x 75"L x 2"T	30 lbs	25" x 25" x 36"
STM4007-01	28"W x 75"L x 3"T	30 lbs	25" x 25" x 36"
STM4008-01	28"W x 75"L x 4"T	30 lbs	25" x 25" x 36"

MODEL #	DIMENSIONS	SHIP WEIGHT	SHIP L X W X H
STM4009-01	24"W x 75"L x 2"T	30 lbs	25" x 25" x 36"
STM4010-01	24"W x 75"L x 3"T	30 lbs	25" x 25" x 36"
STM4011-01	24"W x 75"L x 4"T	30 lbs	25" x 25" x 36"
STM4012-01	26"W x 75"L x 2"T	30 lbs	25" x 25" x 36"
STM4013-01	26"W x 75"L x 3"T	30 lbs	25" x 25" x 36"
STM4014-01	26"W x 75"L x 4"T	30 lbs	25" x 25" x 36"
STM4015-01	28"W x 75"L x 2"T	30 lbs	25" x 25" x 36"
STM4016-01	28"W x 75"L x 3"T	30 lbs	25" x 25" x 36"
STM4017-01	28"W x 75"L x 4"T	30 lbs	25" x 25" x 36"



BURGANDY STRETCHERPAD

MODEL # **STM1555-01-22**
Fits **Stainless Steel** Stretcher and **Aluminum** Stretcher
Pad Size - 73.5"Length x 26"Width x 3"Thick
Custom Sizes Available Upon Request



GREEN STRETCHERPAD

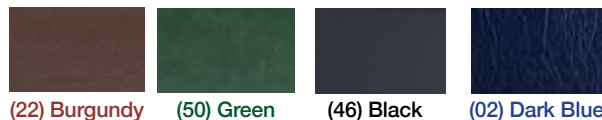
MODEL # **STM1555-01-50**
Fits **Stainless Steel** Stretcher and **Aluminum** Stretcher
Pad Size - 73.5"Length x 26"Width x 3"Thick
Custom Sizes Available Upon Request



BLACK STRETCHERPAD

MODEL # **STM1555-01-46**
Fits **Stainless Steel** Stretcher and **Aluminum** Stretcher
Pad Size - 73.5"Length x 26"Width x 3"Thick
Custom Sizes Available Upon Request

Specify Color



(22) Burgundy (50) Green (46) Black (02) Dark Blue

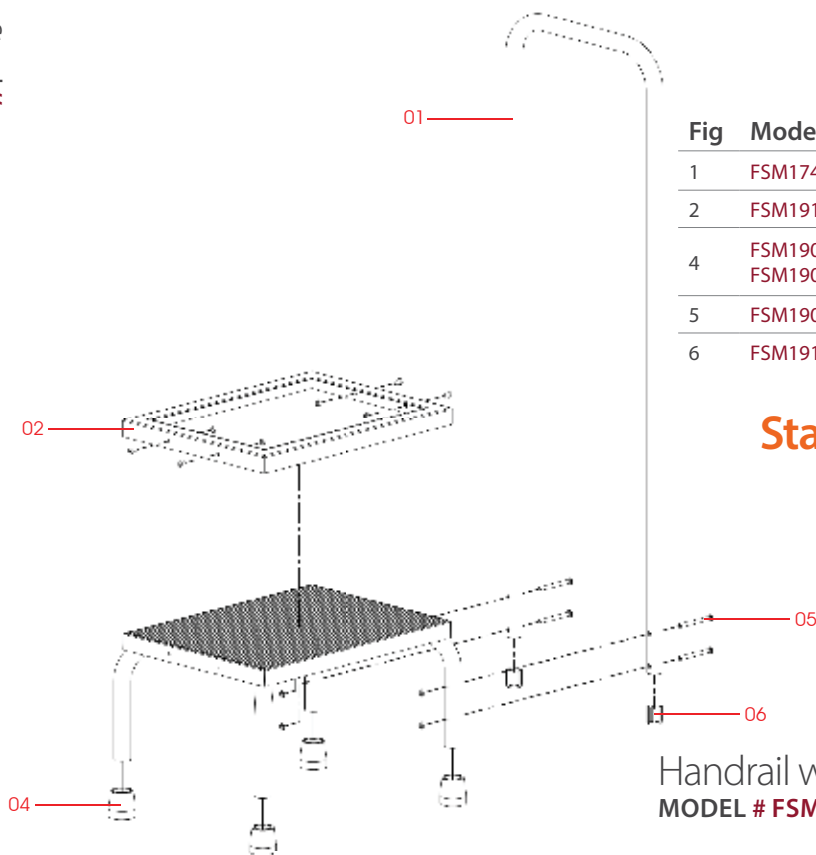


Fig	Model	Description	Quantity
1	FSM1746-01	Handrail w/Attaching Hardware	1 ea.
2	FSM1913-01	Base Frame w/Attaching Hardware	1 ea.
4	FSM1907-01 FSM1903-01	Rubber Base Tip, 1 each Rubber Base Tip, Set of 4	1 ea. 1 set
5	FSM1902-01	Hardware Set for Attaching Handrail	1 set
6	FSM1914-01	End Plug for Handrail	1 ea.

Stainless Steel



Handrail w/Attaching Hardware 
MODEL # FSM1746-01



Base Frame w/Attaching Hardware 
MODEL # FSM1913-01



Handrail End Plug 
MODEL # FSM1914-01



Attaching Handrail Hardware 
MODEL # FSM1902-01





Rubber Base Tip 
MODEL # FSM1907-01
Rubber Base Tip, 1 ea.
MODEL # FSM1903-01
Rubber Base Tip, Set of 4




Fig	Model	Description	Quantity
01	INM7500-01	Stainless Steel Tray 13" x 19"	1 ea.
	INM7501-01	Stainless Steel Tray 16" x 21"	1 ea.
02	INM7503-01	Upper Assembly Barackt for 13" x 19" Tray	1 ea.
	INM7504-01	Upper Assembly Barackt for 16" x 21" Tray	1 ea.
03	INM7502-01	Adjustment Knob	1 ea.
04	INM7507-01	Square Plastic Plug, Black	1 ea.
05	CHM1940-01	2" Non-Locking Twin Wheel Caster	1 ea.
	CHM1941-01	2" Locking Twin Wheel Caster	1 ea.
06	INM7505-01	Lower Base Assembly w/2" Non-Locking Casters	1 ea.



Upper Assembly **Bracket** 
MODEL #INM7503-01
 Tray size: 13" x 19"
MODEL # INM7504-01
 Tray size: 16" x 21"



Stainless Steel **Tray** 
MODEL #INM7500-01
 Tray size: 13" x 19"
MODEL # INM7501-01
 Tray size: 16" x 21"



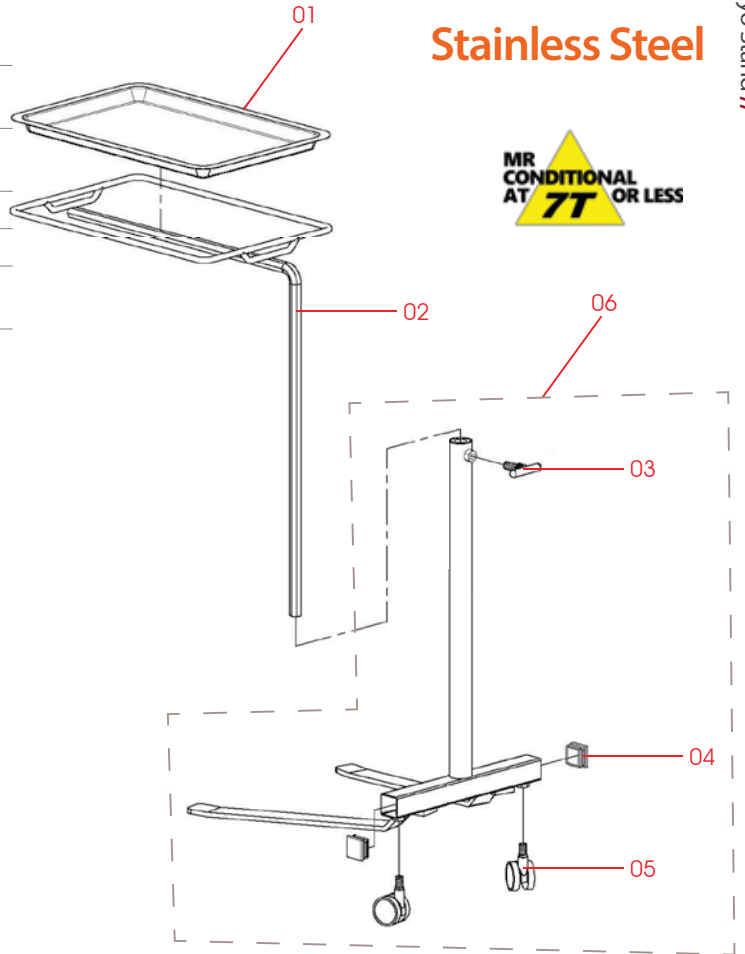
Threaded Stem 2" Non-Locking
Twin Wheel **Caster** 
MODEL # CHM1940-01



Threaded Stem 2" Locking
Twin Wheel **Caster** 
MODEL # CHM1941-01



Adjustment **Knob** 
MODEL # INM7502-01



Stainless Steel



Square Black Plastic **Plug** 
MODEL # INM7507-01



Stainless Steel

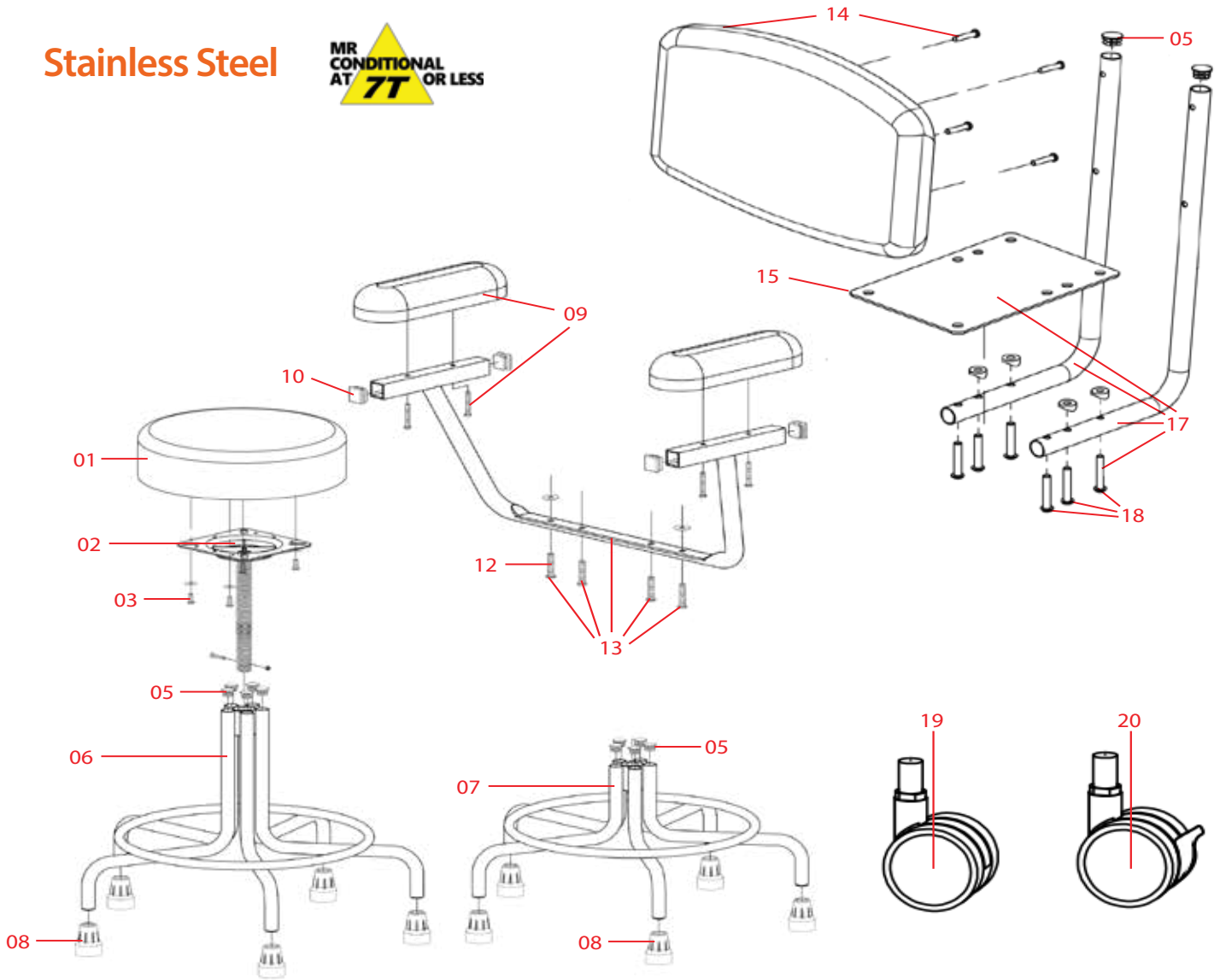


Fig	Model	Description	Price
1	CHM8903-01	Seat, Burgandy w/Attaching Hardware	1 ea.
	CHM8917-01	Seat, Green w/Attaching Hardware	1 ea.
2	CHM8927-01	Height Adjust Threaded Stem w/Seat Plate	1 ea.
3	CHM8928-01	Attaching Hardware Set for Seat	1 set
5	CHM8929-01	Round Plastic Plug, Black	1 ea.
6	CHM8087-01	Base Assembly, 21" to 27" Seat Height, w/ Rubber Tips	1 ea.
7	CHM8086-01	Base Assembly, 15" to 21" Seat Height, w/ Rubber Tips	1 ea.
8	CHM8930-01	Rubber Tip	1 ea.
9	CHM8909-01	Armrest, Burgandy, w/Attaching Hardware	1 ea.
	CHM8919-01	Armrest, Green, w/Attaching Hardware	1 ea.

Fig	Model	Description	Price
10	CHM8931-01	Square Plastic Plug, Black	1 ea.
12	CHM8932-01	Attaching Hardware Set for Arm Bracket	1 set
13	CHM8905-01	Arm Bracket Only, w/Attaching Hardware	1 ea.
14	CHM8911-01	Back, Burgandy w/Attaching Hardware	1 ea.
	CHM8923-01	Back, Green w/Attaching Hardware	1 ea.
15	CHM8933-01	Stool Seat Support Plate, 8 Holes	1 ea.
17	CHM8904-01	Back Frame Only w/Attaching Hardware	1 ea.
18	CHM8934-01	Attaching Hardware Set for Back Frame	1 set
19	CHM1940-01	2" Non-Locking Twin Wheel Caster w/Threaded Stem	1 ea.
20	CHM1941-01	2" Locking Twin Wheel Caster w/Threaded Stem	1 ea.



8 Holed Stool Support**Plate** 
MODEL # **CHM8933-01**



Black Round Plastic**Plug** 
MODEL # **CHM8929-01**



Height Adj. Threaded Stem w/
Seat**Plate** 
MODEL # **CHM8927-01**



15"-21" Seat Height w/Rubber
Tips, Base**Assembly** 
MODEL # **CHM8086-01**



21"-27" Seat Height w/Rubber
Tips, Base**Assembly** 
MODEL # **CHM8087-01**



Threaded Stem 2" Locking
Twin Wheel**Caster** 
MODEL # **CHM1941-01**




Threaded Stem 2" Non-Locking
Twin Wheel**Caster** 
MODEL # **CHM1940-01**




Rubber**Tip** 
MODEL # **CHM8930-01**




Back, w/Attaching **Hardware**

Model #CHM8911-01 
Color: Burgandy
Model #CHM8923-01
Color: Green
Model: #CHM8935-01
Color: Dark Blue

Seat, w/Attaching **Hardware**

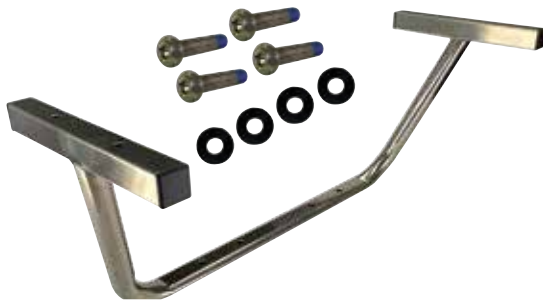
Model #CHM8903-01 
Color: Burgandy
Model #CHM8917-01
Color: Green
Model: #CHM8922-01
Color: Dark Blue

Armrest, w/Attaching **Hardware**

Model #CHM8909-01 
Color: Burgandy
Model #CHM8919-01
Color: Green
Model: #CHM8940-01
Color: Dark Blue

Custom Stenciling **Option** 

MODEL #CHM8914-01
Customize your doctor stool. Add your facility name, department name or any information you would like.



Arm Bracket Only w/Attaching **Hardware** 
MODEL #CHM8905-01

Arm Bracket Attaching **Hardware Only** 
MODEL #CHM8932-01

Back Frame Set w/Attaching **Hardware** 
MODEL #CHM8904-01

Back Frame Attaching **Hardware Only** 
MODEL #CHM8934-01



Square Black Plastic **Plug**
MODEL #CHM8931-01

Stainless Steel

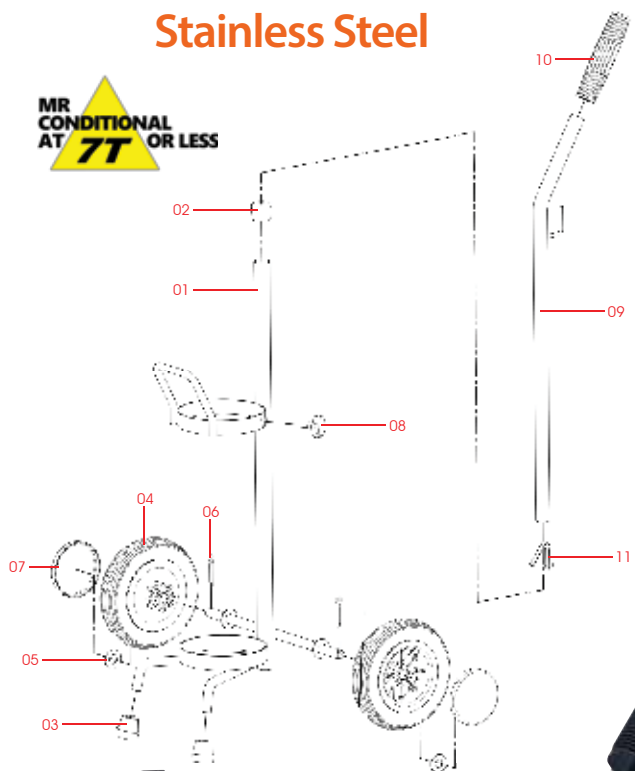


Fig	Model	Description	Quantity
01	OXM1901-01	Cart Base Assembly	1 ea.
02	OXM1509-01	Plastic Collar,Black	1 ea.
03	OXM1502-01	Rubber Tip	1 ea.
04	OXM1905-01	Wheel	1 ea.
05,06	OXM1906-01	Cotterpin and washer	1 ea.
07	OXM1903-01	Hub Cap, Plastic	1 ea.
08	OXM1904-01	Locking Knob	1 ea.
09	OXM1900-01	Cart Handle	1 ea.
10	OXM1908-01	Vinyl Hand Grip, Black	1 ea.
11	OXM1907-01	Push Button	1 ea.



Tension Knob
 MODEL #OXM1904-01



Plastic Black Collar
 MODEL #OXM1509-01



Rubber Tip
 MODEL #OXM1502-01

Vinyl Black Hand Grip
 MODEL #OXM1908-01



Plastic Hub Cap
 MODEL #OXM1903-01



Cotter Pin and Washer
 MODEL #OXM1906-01



Wheel
 MODEL #OXM1905-01

Cart Handle
 MODEL #OXM1900-01



Push Button Pin
 MODEL #OXM1907-01





Aluminum

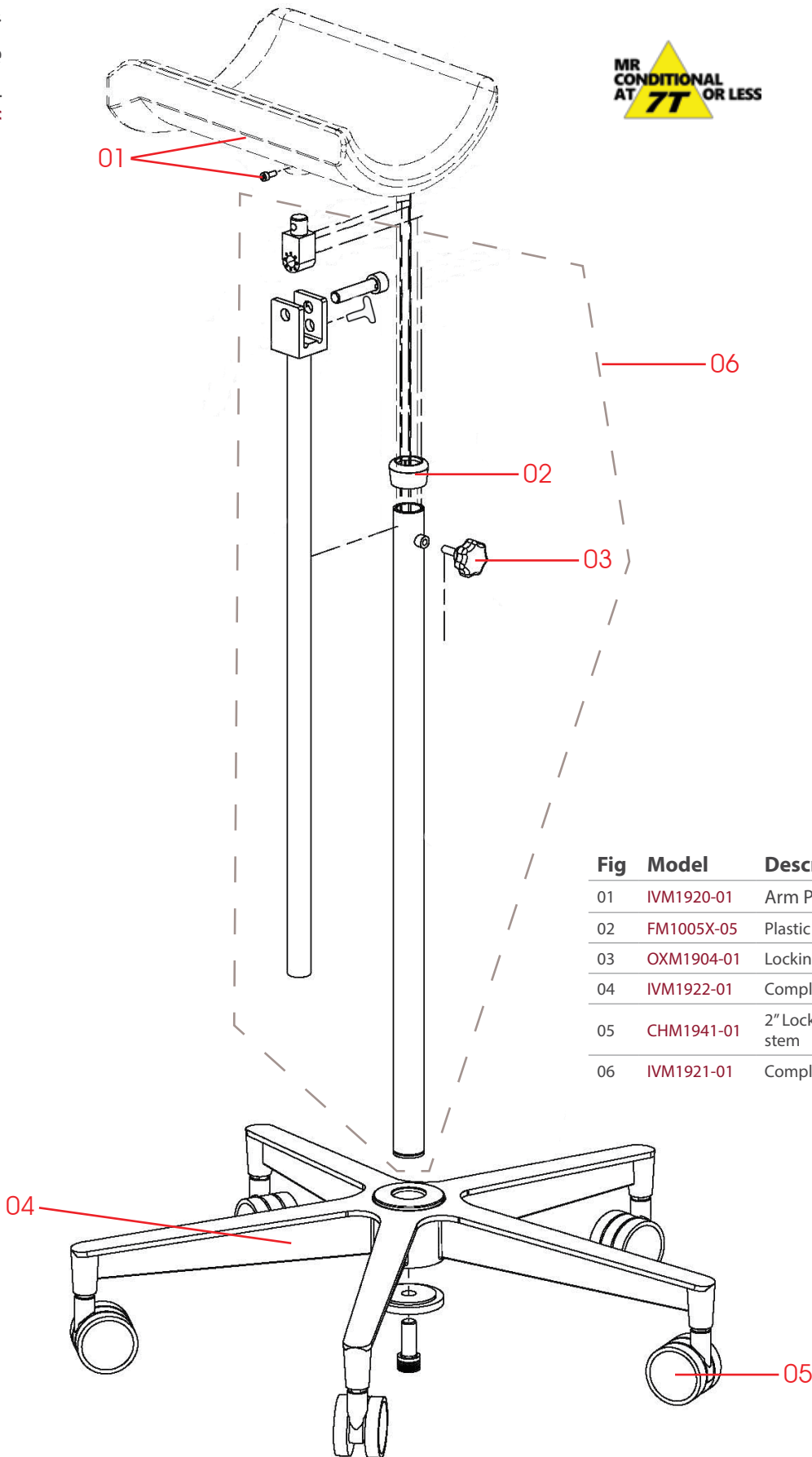


Fig	Model	Description	Quantity
01	IVM1920-01	Arm Pad	1 ea.
02	FM1005X-05	Plastic Collar, Black	1 ea.
03	OXM1904-01	Locking Knob	1 ea.
04	IVM1922-01	Complete Base w/Locking Casters	1 ea.
05	CHM1941-01	2" Locking Twin Wheel Caster w/Threaded stem	1 ea.
06	IVM1921-01	Complete Adjustment Pole	1 ea.



Arm**Pad** 
MODEL #IVM1920-01



Locking**Knob** 
MODEL #OXM1904-01



Black Plastic**Collar** 
MODEL #FM1005X-05



Threaded Stem 2" Locking
Twin Wheel**Caster** 
MODEL # CHM1941-01



Complete Adjustment**Pole** 
MODEL #IVM1921-01



Complete Base w/Locking
Twin Wheel**Caster** 
MODEL # IVM1922-01

Stainless Steel

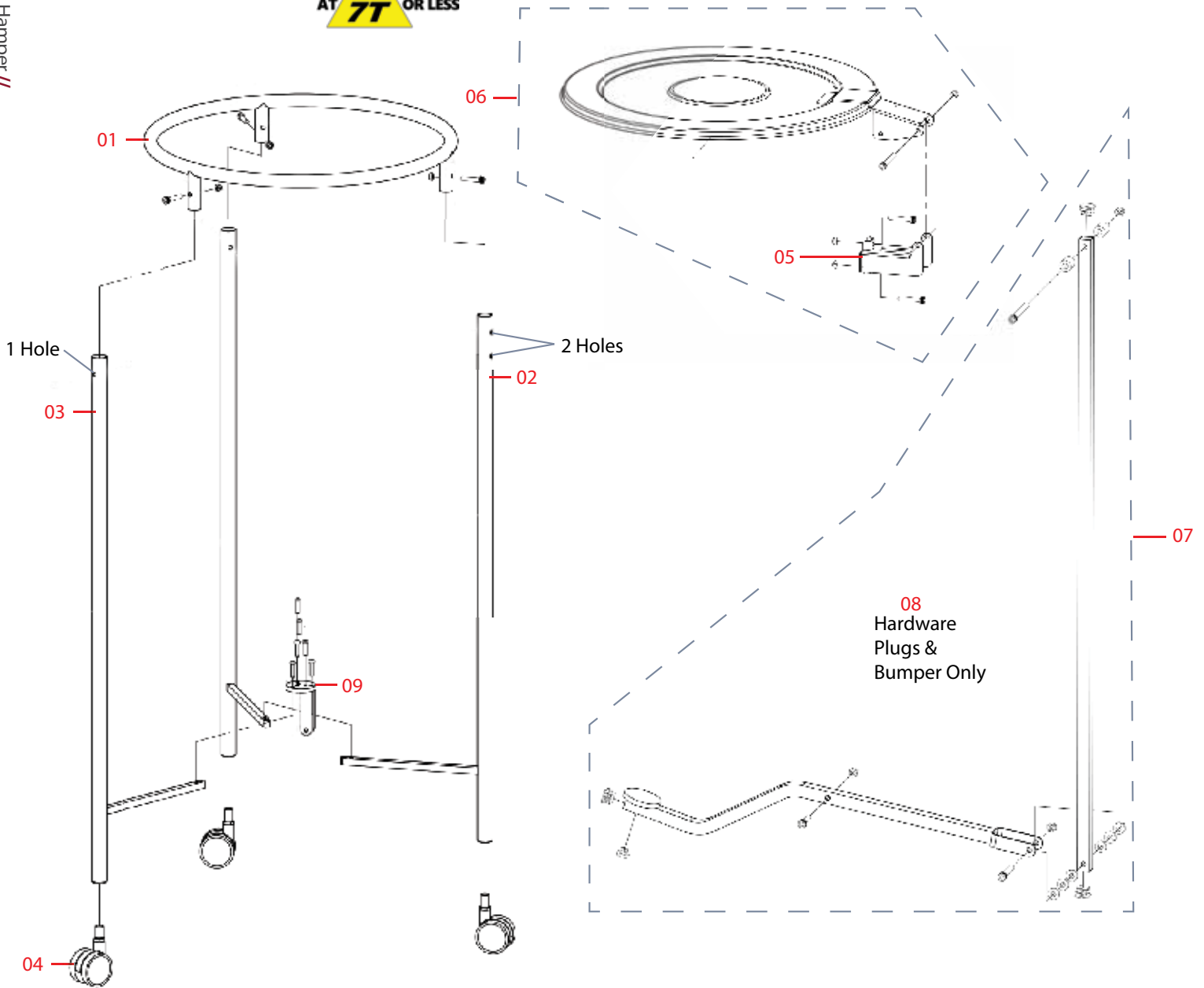


Fig	Model	Description	Quantity
01	HAM2252-01	Top Ring w/ Hardware	1 ea.
02	HAM2253-01	Leg with 2 Holes	1 ea.
03	HAM2254-01	Leg with 1 Hole	1 ea.
04	CHM1940-01	2" Non-Locking Twin Wheel Caster w/ Threaded stem	1 ea.
	CHM1941-01	2" Locking Twin Wheel Caster w/ Threaded stem	1 ea.
05	HAM2255-01	Lid Bracket only w/ Attaching Hardware	1 ea.

Fig	Model	Description	Quantity
06	HAM2250-01	Hamper Lid and bracket w/Attaching Hardware	1 ea.
07	HAM2251-01	Foot Pedal Assembly w/Attaching Hardware	1 ea.
08	HAM2256-01	Attaching Hardware Set for Foot Pedal Assembly	1 set
09	HAM2257-01	Lower Leg Support Bracket w/Attaching Hardware	1 ea.
10	HAM2203-02	Replacement Hamper Bag	1 ea.



Hamper Lid and Bracket w/
Attaching **Hardware** 
MODEL # **HAM2250-01**





Top Ring w/**Hardware** 
MODEL # **HAM2252-01**



Lid Bracket only w/**Hardware** 
MODEL # **HAM2255-01**



Leg w/**1Hole** 
MODEL # **HAM2255-01**
Leg w/**2Holes** 
MODEL # **HAM2253-01**



Threaded Stem 2" Locking
Twin Wheel **Caster** 
MODEL # **CHM1941-01**



Threaded Stem 2" Non-Locking
Twin Wheel **Caster** 
MODEL # **CHM1940-01**



Attaching Hardware Set for
Foot Pedal **Assembly** 
MODEL # **HAM2256-01**

Foot Pedal Assembly w/
Attaching **Hardware** 
MODEL # **HAM2251-01**





Stainless Steel

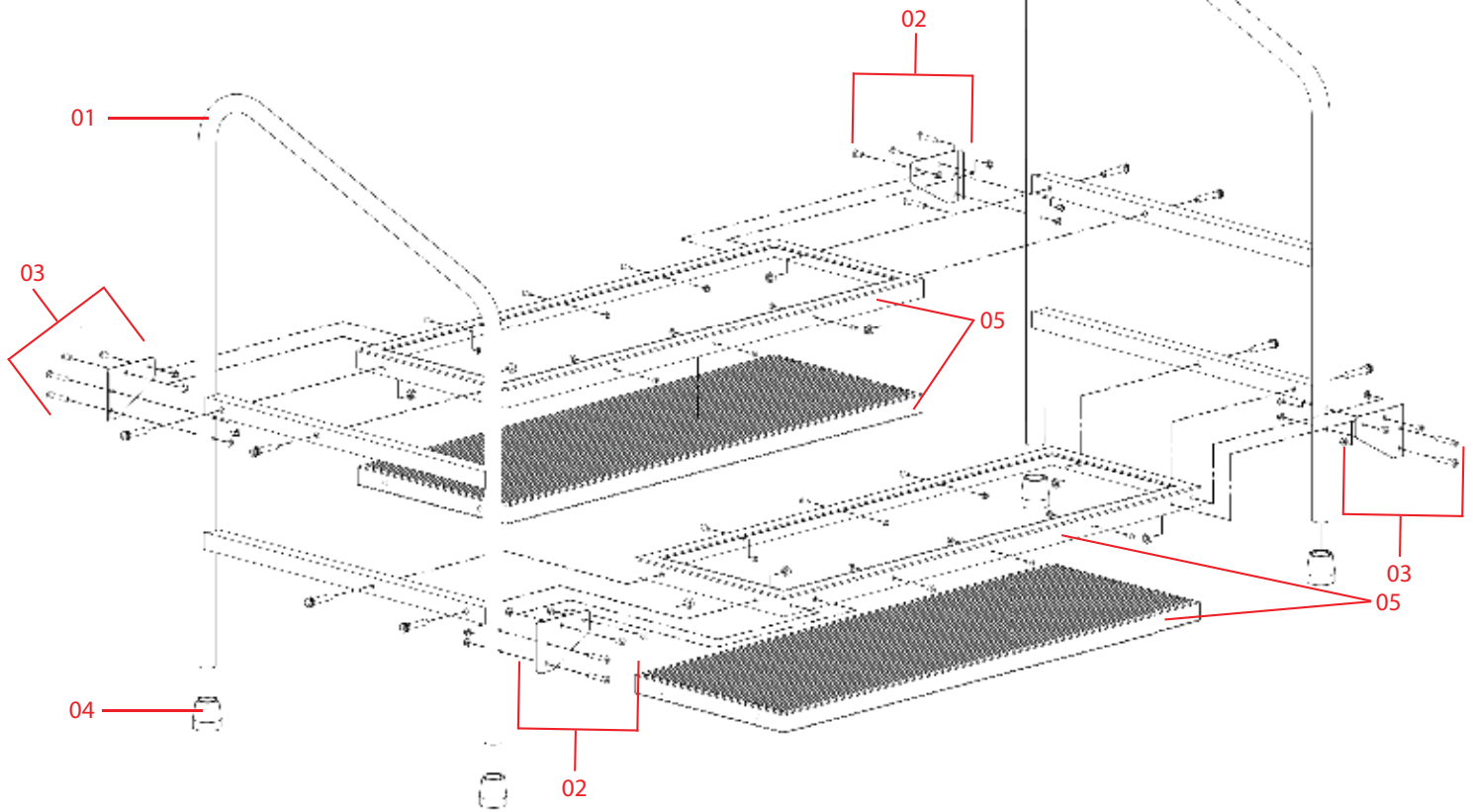
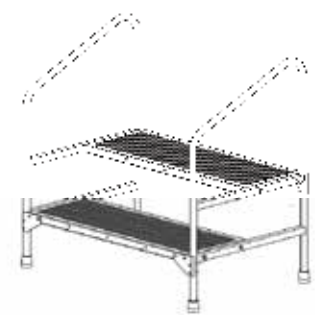
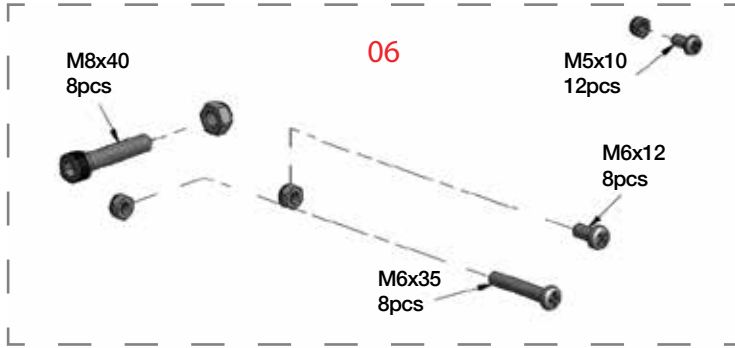
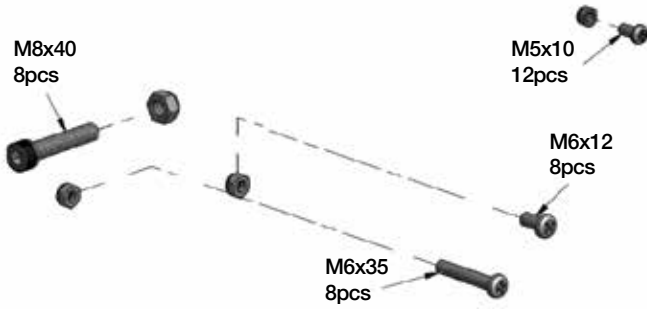


Fig	Model	Description	Quantity
1	FSM1905-01	Handrail, Universal right or left	1 ea.
2	FSM1911-01-R	Brace w/Attaching Hardware, Right	1 ea.
3	FSM1911-01-L	Brace w/Attaching Hardware, Left	1 ea.
4	FSM1907-01	Rubber Base Tip	1 ea.
	FSM1903-01	Rubber Base Tip, Set of 4	1 set
5	FSM1905-01	Step with Matting and Trim	1 ea.
6	FSM1909-01	Replacment Hardware Set	1 set



Replacement Set **Hardware** ⚠️

MODEL # **FSM1909-01**



Rubber Base **Tip** ⚠️

MODEL # **FSM1907-01**

Rubber Base Tip, 1 ea.

MODEL # **FSM1903-01**

Rubber Base Tip, Set of 4



Step w/ **Matting** and **Trim** ⚠️

MODEL # **FSM1906-01**



Brace w/ Attaching **Hardware** ⚠️

MODEL # **FSM1911-01-R**

Side: Right Side

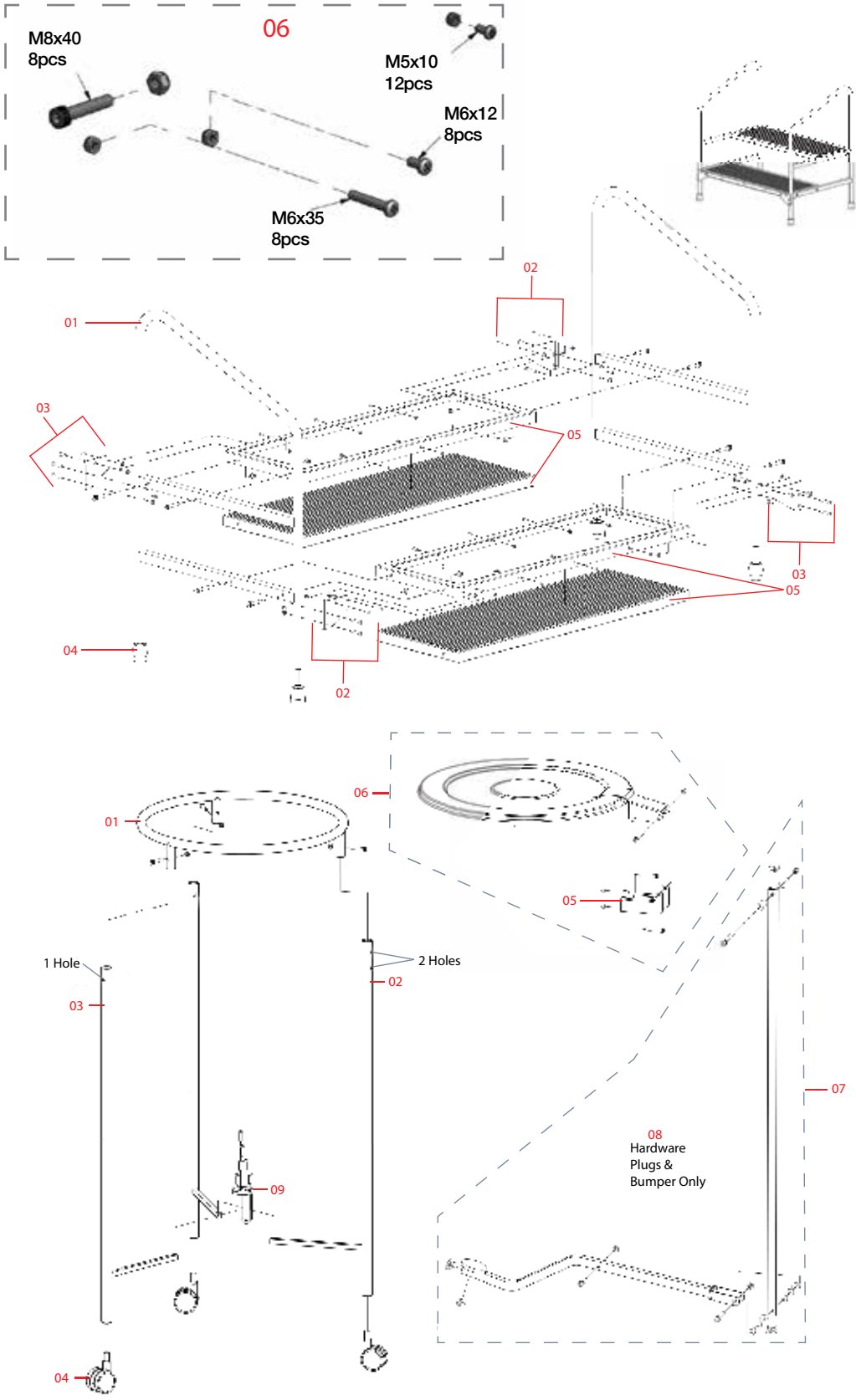
MODEL # **FSM1911-01-L**

Side: Left Side



Universal Right or Left **Handrail** ⚠️

MODEL # **FSM1905-01**



MRI Non-Magnetic Parts & Accessories Catalog

CREATIVE LIVING MEDICAL //

MRI SAFETY SOLUTIONS AND NON-MAGNETIC EQUIPMENT



Visit www.clmed.com For Complete Line of Non-Magnetic Products & Parts